



ברלין טכנולוגיות בע"מ
שדרות גן רוזה 13, יבנה, 8122214
<http://www.berlintech.co.il/>
mail@berlintech.co.il
טלפון: 073-7597171
פקס: 08-6638120



Locator

Locator-D-Lux

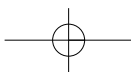
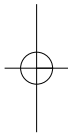
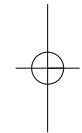
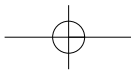
Air-Saver G1

Air-Saver G2

AIR SAVING PRODUCTS



RELIABLE



INDEX

	PAGE
ADDING VALUE	4
AIR LEAK DETECTION AND SAVINGS	6
INSTALLATION	7
LOCATOR	8
LOCATOR D-LUX	8
AIR-SAVER G1	10
AIR-SAVER G2	12
OTHER JORC PRODUCTS	14

ADDING VALUE

The Air-Saver is installed just beyond the air receiver tank. It can be programmed to automatically open just prior to the start of a work shift and close just after the end of the work shift. By doing so you save compressed air and reduce energy costs.

Compressed air leakages are common and more importantly very costly. Graph A and B (next page) illustrate the value of the AIR-SAVER when installed. A typical installation is illustrated below.

In graph A and B the light blue line demonstrates the operating movements of the compressor, or to put it in other words – **ENERGY USAGE**.

Graph A shows a compressed air system without an AIR-SAVER installed. At 4 pm the working shift is over and the compressed air leakages force the compressor to continually bring the air pressure up to the required level (even though no one is working in this particular example).

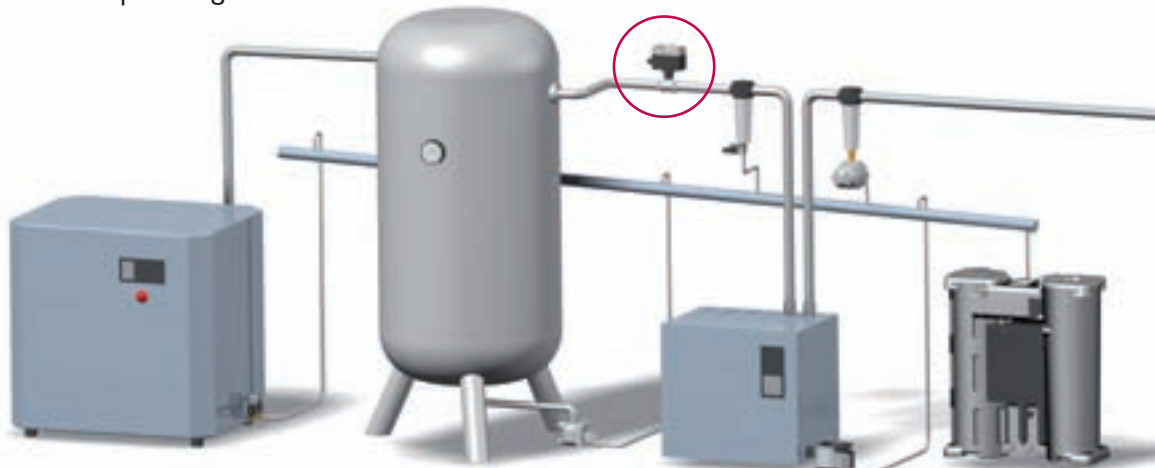
The result is that the compressor kicked in 20 times during the period in which no one was requiring compressed air! Compressed air losses occur through pipe work connection leakages, leaking float type drains, flow meters etc.

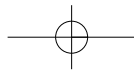
Graph B shows the same compressed air system with an AIR-SAVER installed. The light blue movements are the compressor in running mode. At 4 pm you see that the working shift ends and that the AIR-SAVER is programmed to close.

The result is that the pressure in the pipe work beyond the AIR-SAVER is lost as you see the pressure drops to 0 bar. The produced compressed air stored in the air receiver is saved and the compressor does not require to kick on and off to bring the air pressure up to a certain level.

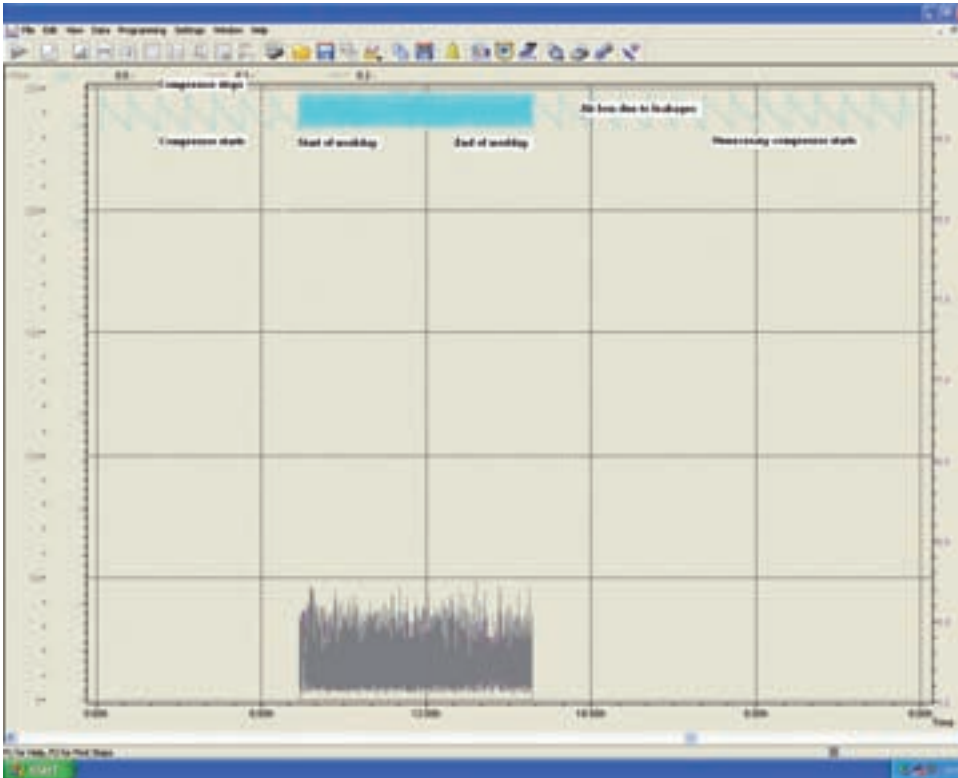
Savings achieved with the AIR-SAVER are:

- Valuable and expensively produced compressed air.
- Electricity for running the compressor.
- Wearing parts of the compressor.
- Compressor servicing costs due to unnecessary compressor operating hours.
- Other wearing parts like compressed air filter elements due to unnecessary operating hours.

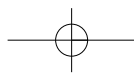
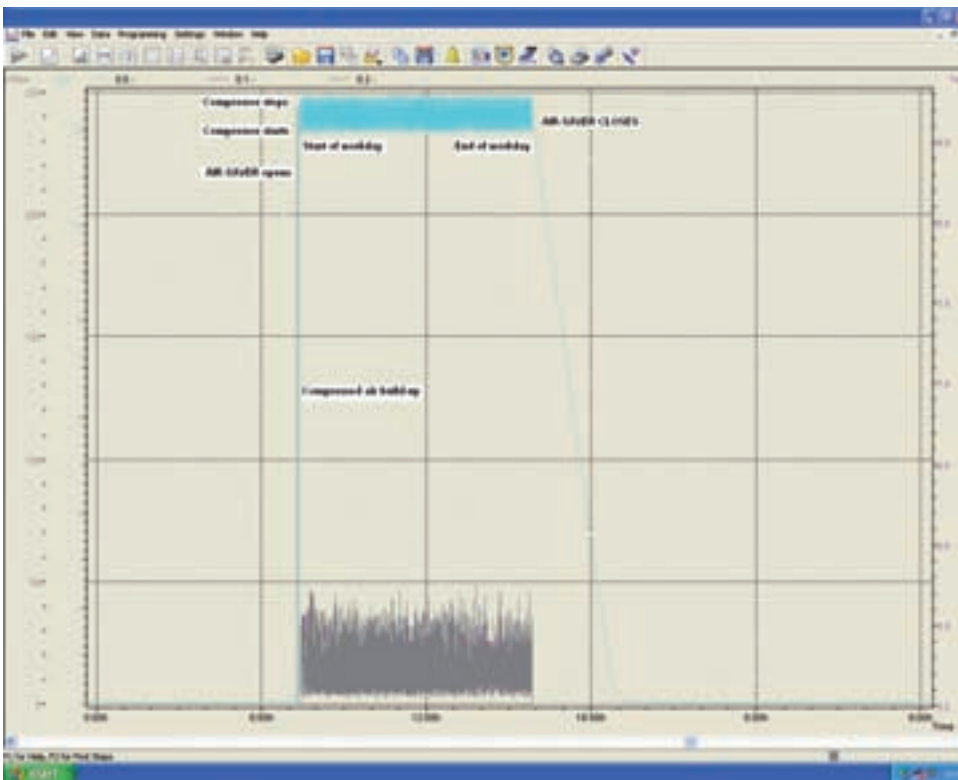




Graph A: compressed air system without an AIR-SAVER



Graph B: compressed air system with an AIR-SAVER



AIR LEAKS

Air leaks are a concern for anyone operating a compressed air system. The average plant with no formal leak management program can have air leaks that waste up to 30 percent of the total air capacity.

Leaks will cause compressors to run at full load for longer periods of time. The compressors will not only use more energy, but may also need additional maintenance due to the increased loads.

Leaks can give the false impression that additional compressors are required to meet the demand for compressed air.

COMMON LEAK POINTS

- Quick connections fittings have o-rings to seal the hose connections. A damaged or missing o-ring will cause the connection to leak.
- FRL's (filter, regulator & lubricator). Inlet and outlet connections and bottom drainage point can leak.
- The welds found on pipe joints and pipe flanges can leak due to vibrations, age or improper welding.
- Float or mechanical type condensate drains can also be a source of air leaks, because the operating mechanics can get stuck in the open or closed position.
- Pipe thread connections, air tools and many more sources can be the cause of air leakages.

LOCATOR

The Locator is an ultrasonic air leak detector and is a necessary part of a leak prevention program.

When a gas passes through a restricted orifice under pressure, it is going from a pressurised laminar flow to low pressure turbulent flow. The turbulence generates a broad spectrum of sound. There are ultrasonic components in the sound and since the ultrasound will be the loudest by the leak location, the detection of these signals is usually quite simple.

The Locator is easy to use and highly effective at finding compressed air leaks.

AIR-SAVER

The compressed air that is stored in the receiver can leak out through the above mentioned sources of air leaks. This is a direct waste of energy and money.

The Air-Saver is installed on the air piping that comes out of a receiver tank. It can be programmed to automatically open just prior to the start of a work shift and close just after the end of the work shift.

The Air-Saver is an improvement to any compressed air system with the above mentioned air leak problems and has a fast payback.

AIR-SAVING PRODUCT SOLUTIONS



INSTALLATION RECOMMENDATION



LOCATOR

For compressed air leak detection

PAGE 8



LOCATOR-D-LUX

For compressed air leak detection in all factories that meet ANSI specifications and OSHA standards with over 23 dB of noise attenuation.

PAGE 8



AIR-SAVER G1

For all compressed air pipe line systems up to 1"

PAGE 10



AIR-SAVER G2

For all compressed air pipe line systems from 1" up to 2"

PAGE 12



LOCATOR

Compressed air energy saver



The LOCATOR is supplied in representative case.

PRODUCT FEATURES

The LOCATOR is an ultrasonic compressed air leak detector that detects leakages in compressed air systems at a distance up to at least 10 meters.

The ultrasonic technology allows for easy and fast detection of leakages and production activity may continue when applying the LOCATOR. The headset and the LED display allow for audible and visual confirmation of all compressed air leakages.

The decibel meter can be adjusted to filter out ambient noise levels and pin-point the exact location of a specific air leak.

The LOCATOR makes locating air leaks simple and cost effective.

A deluxe version of the LOCATOR with hard-hat head set, that meets **ANSI specifications and OSHA standards with over 23 dB of noise attenuation** is also available as LOCATOR D-LUX.

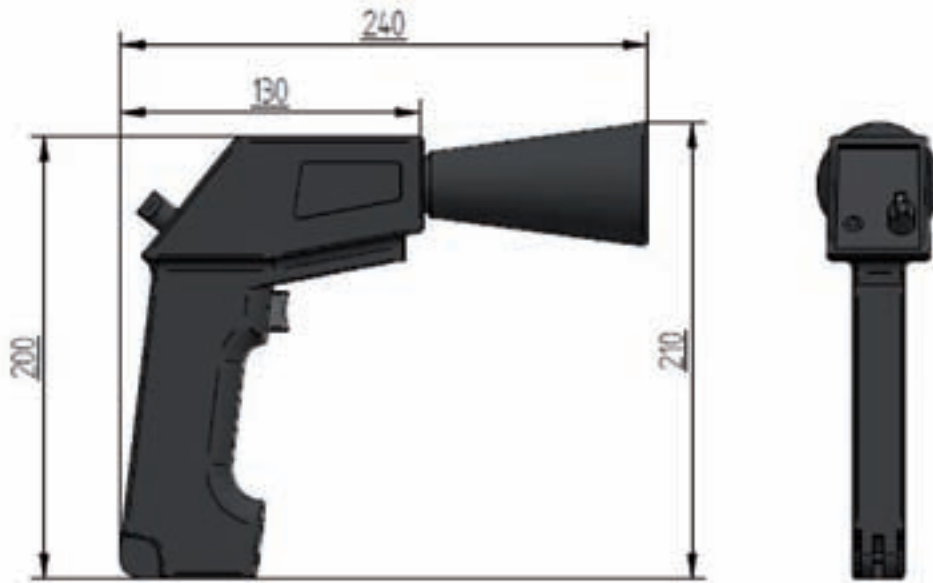
Furthermore, special FM, CSA and ATEX proof versions are available – Please consult factory.

COMMERCIAL BENEFITS

- Ultrasonic air leak detection to save money.
- SMT/solid state hybrid heterodyne receiver.
- Supplied in a case, complete with headset and rubber focussing probes.
- Production can continue when applying the LOCATOR.
- Fully automatic - no maintenance.

TECHNICAL ADVANTAGES

- Leaks will be detected from a distance (up to at least 10 meters).
- Highly effective in locating leaks and incredibly simple to apply.
- Very little time is required to locate leaks throughout a factory.

DIMENSIONS MM

PRODUCT SPECIFICATIONS

Construction	Hand held ABS pistol type ultrasonic processor Stainless steel sensor enclosures
Circuitry	SMT/Solid state hybrid heterodyne receiver
Frequency Response	20-100 kHz (centered at 28-42 kHz)
Indicator	10 segment leak indication LED bar
Sensitivity Selection	8 sensitivity positions
Power	9 volt alkaline battery
Low battery indicator	LED
Transmitter	Warble tone transmission
Response time	300 mille seconds
Ambient operating temp.	0 – 50 degrees C. (32 – 120 degrees F)
Relative humidity	10 – 95 %

PRODUCT FEATURES


Audible leak warning
(hard-hat headphones comes as standard with the D-LUX version)



Visual leak warning



LOCATOR-D-LUX meets ANSI specifications and OSHA standards

AIR-SAVER G1

Compressed air energy saver



PRODUCT FEATURES

A typical compressed air system has air loss through pipe work connections, leaking float type drains etc.

The AIR-SAVER G1 is a motorised ball valve that is installed in the compressed air line after the air receiver. The AIR-SAVER G1 opens and closes the air supply to the factory, based on customer specific working shifts.

The AIR-SAVER G1 will open the ball valve at the beginning of a working shift and close the ball valve when the working shift is over. From that point on, all compressed air will remain in the air receiver until the next working shift, rather than being lost through leakages.

The clever and versatile programming feature allows for customer specific settings and is totally adaptable to the working hours of each individual factory.

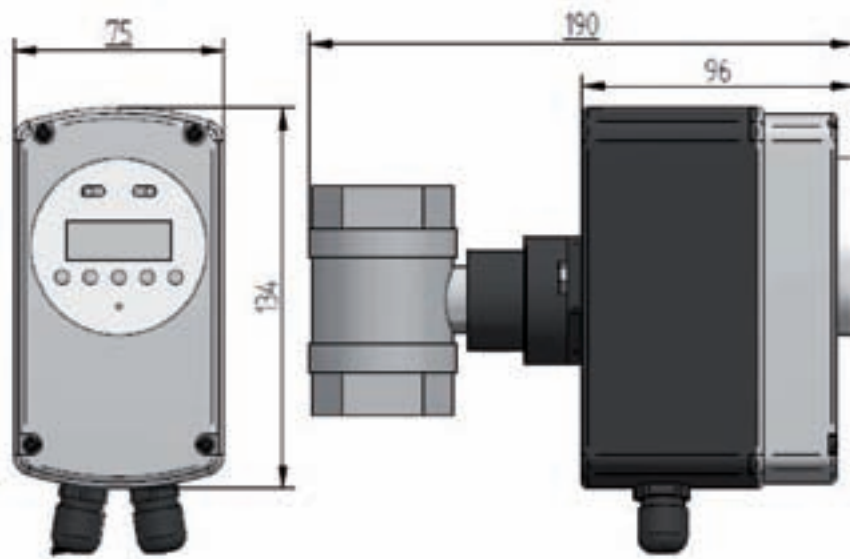
The AIR-SAVER G1 can be installed in all pipe line systems up to 1". Remote switching kits are available to operate the AIR-SAVER G1 from a distance.

COMMERCIAL BENEFITS

- Microprocessor controlled (7 day program feature - multiple cycles possible each day -)
- Fully automatic - no maintenance
- External push button controls (disassembly not necessary)
- Easy to program
- LCD displaying the program cycle and the current time
- Small compact design
- Each individual day can be programmed according to specific working day shift requirements

TECHNICAL ADVANTAGES

- 1" Orifice.
- FPM seals.
- Stainless steel ball, valve is nickel plated brass.
- Slow ball valve rotation 90 degrees in 30 seconds (designed to avoid water-hammer when opening or closing).

DIMENSIONS MM

PRODUCT SPECIFICATIONS

Supply voltage	115V or 240 VAC/DC 50/60Hz
Power consumption	7W during cycle rotation
Opening / Closing duration	30 sec. / 90°
Operating temperature	0°C to + 60°C
Valve	Nickel plated brass with stainless steel ball
Connection	1" BSP or NPT
Pressure range	0 to 16 bar (230 psi maximum)
Manual override	Yes
Environmental protection	IP54
Indicators	LCD indicating program and current time
Timer display	24 hours

CE certified

PRODUCT FEATURES


Built-in quartz controlled timer with LCD display



Remote control option.



1" Stainless steel rotation ball.



AIR-SAVER G2

Compressed air energy saver



PRODUCT FEATURES

For larger systems we have a G2 version of the AIR-SAVER.

The AIR-SAVER G2 is a motorised ball valve that is installed in the compressed air line after the air receiver. The AIR-SAVER G2 opens and closes the air supply to the factory, based on customer specific working shifts.

The AIR-SAVER G2 will open the ball valve at the beginning of a working shift and close the ball valve when the working shift is over. From that point on, all compressed air will remain in the air receiver until the next working shift, rather than being lost through pipe work leakages.

The clever and versatile programming feature allows for customer specific settings and is totally adaptable to the working hours of each individual factory.

The AIR-SAVER G2 can be installed in all pipe line systems up to 2". Remote switching kits are available to operate the AIR-SAVER G2 from a distance.

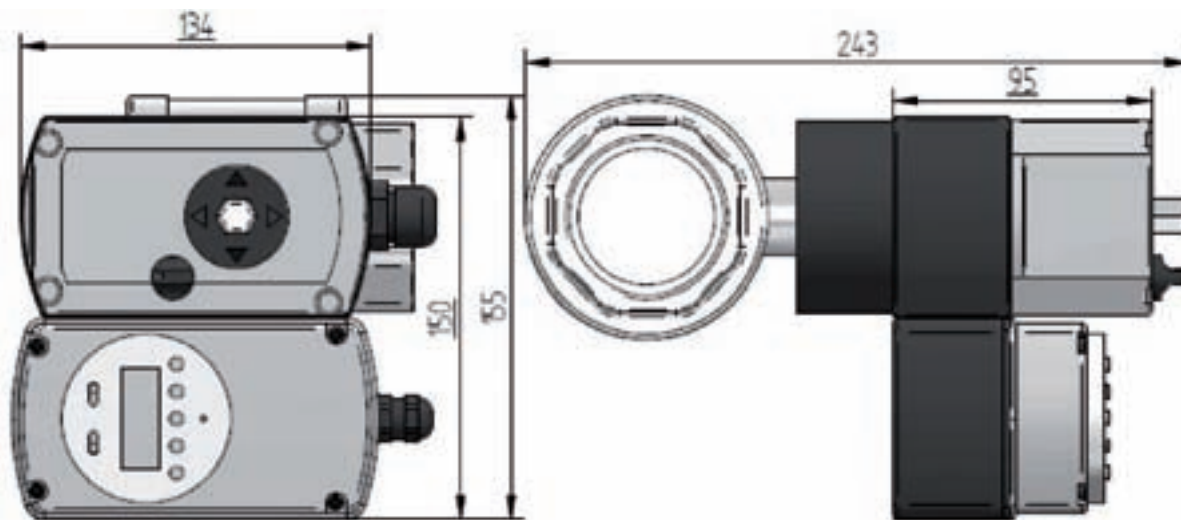
COMMERCIAL BENEFITS

- Microprocessor controlled (7 day program feature - multiple cycles possible each day -).
- Fully automatic - no maintenance.
- External push button controls (disassembly not necessary).
- Easy to program.
- LCD displaying the program cycle and the current time.
- Small compact design.
- Each individual day can be programmed according to specific working day shift requirements.

TECHNICAL ADVANTAGES

- 2" Orifice.
- FPM seals.
- Stainless steel ball, valve is nickel plated brass.
- Slow ball valve rotation 90 degrees in 105 seconds (designed to avoid water-hammer when Opening or Closing).

DIMENSIONS MM



PRODUCT SPECIFICATIONS

Supply voltage	115V or 240 VAC/DC 50/60Hz
Power consumption	7W during cycle rotation
Opening / Closing duration	105 sec. / 90°
Operating temperature	0°C to + 60°C
Valve	Nickel plated brass with stainless steel ball
Connection	2" BSP or NPT
Pressure range	0 to 16 bar (230 psi maximum)
Manual override	Yes
Environmental protection	IP54
Indicators	LCD indicating program and current time
Timer display	24 hours

CE certified

PRODUCT FEATURES



Built-in quartz controlled timer with LCD display



Remote control option.



2" Stainless steel rotation ball.

OTHER JORC PRODUCTS

JORC strives to be your compressed air condensate management specialist offering you a ONE-STOP-SHOPPING solution.

JORC also designs and produces a range of:

- * Timer controlled condensate drains
- * Level sensed condensate drains
- * Oil/water separators
- * Accessory products
- * Monitoring products

Please contact us for more information.

TIMER DRAINS

JORC offers the widest range of timer controlled condensate drains for all compressed air system applications up to 500 bar.

Different valve types, connections and voltages are available to suit virtually every application.

Private labelling options and various timer colours are also available to make your customised drain stand out in the market.

Specific product information can be found in our timer drain catalogue and on our website at www.jorc.eu



LEVEL SENSED DRAINS

JORC offers a range of level sensed condensate drains for every compressed air system regardless the size.

JORC offers various level sensed drains:

- * Electronically controlled with alarm
- * Magnetically controlled, no electricity needed
- * Pneumatically controlled, no electricity needed

Specific product information can be found in our level sensed catalogue and on our website at www.jorc.eu

OIL/WATER SEPARATORS

JORC offers a range of oil/water separators for all compressor systems regardless their size.

JORC oil/water separators can separate:

- Mineral oil
- Synthetic oil
- Stable emulsions
- Polyglycol and other special compressor lubricants

Furthermore, JORC oil/water separators accept condensate from all types of condensate drains.

Specific product information can be found in our oil/water separator catalogue and on our website at www.jorc.eu



ACCESSORY PRODUCTS

A complete range of accessory products is available, such as:

- Timer units (also for dust control)
- Ball valve strainers
- Filter bowl adapters
- Coils
- Connectors
- Mounting brackets

Specific product information can be found in our product catalogues and on our website at www.jorc.eu



MONITORING PRODUCTS



The WARNER is a condensate management warning system. When condensate management products require maintenance, the WARNER contacts the maintenance engineer via the mobile telephone network.

Condensate management plays a vital role in creating and maintaining a reliable compressed air system.

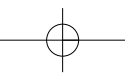
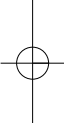
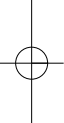
Compressed air systems may incorporate electronic zero air-loss drains (KAPTIV-CS) with alarm feature and oil/water separators (SEPREMIUM) with element indicating features.

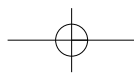
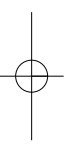
The WARNER contacts the maintenance engineer when there is a maintenance opportunity.

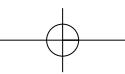
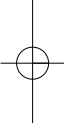
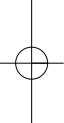
The WARNER takes away the guess-work of whether the condensate management system is operating according to expectation.

The maintenance engineer can respond immediately and will never again have to miss a maintenance opportunity, or lose the deal to a competitor.









COMPRESSED AIR CONDENSATE MANAGEMENT SPECIALIST

JORC Industrial BV

Pretoriastraat 28
NL-6413 NN Heerlen
The Netherlands

Tel: +31 (0) 45 524 24 27
Fax: +31 (0) 45 524 19 79

info@jorc.nl
www.jorc.eu