

ALLWEILER OPTIFIX™ PROGRESSING CAVITY PUMPS

PUMPS THAT ARE EASY TO MAINTAIN AND IMPOSSIBLE TO BEAT

Designed for multiple pump series and featuring incredibly fast disassembly and reassembly, the OptiFix offers best-in-class mean time to repair



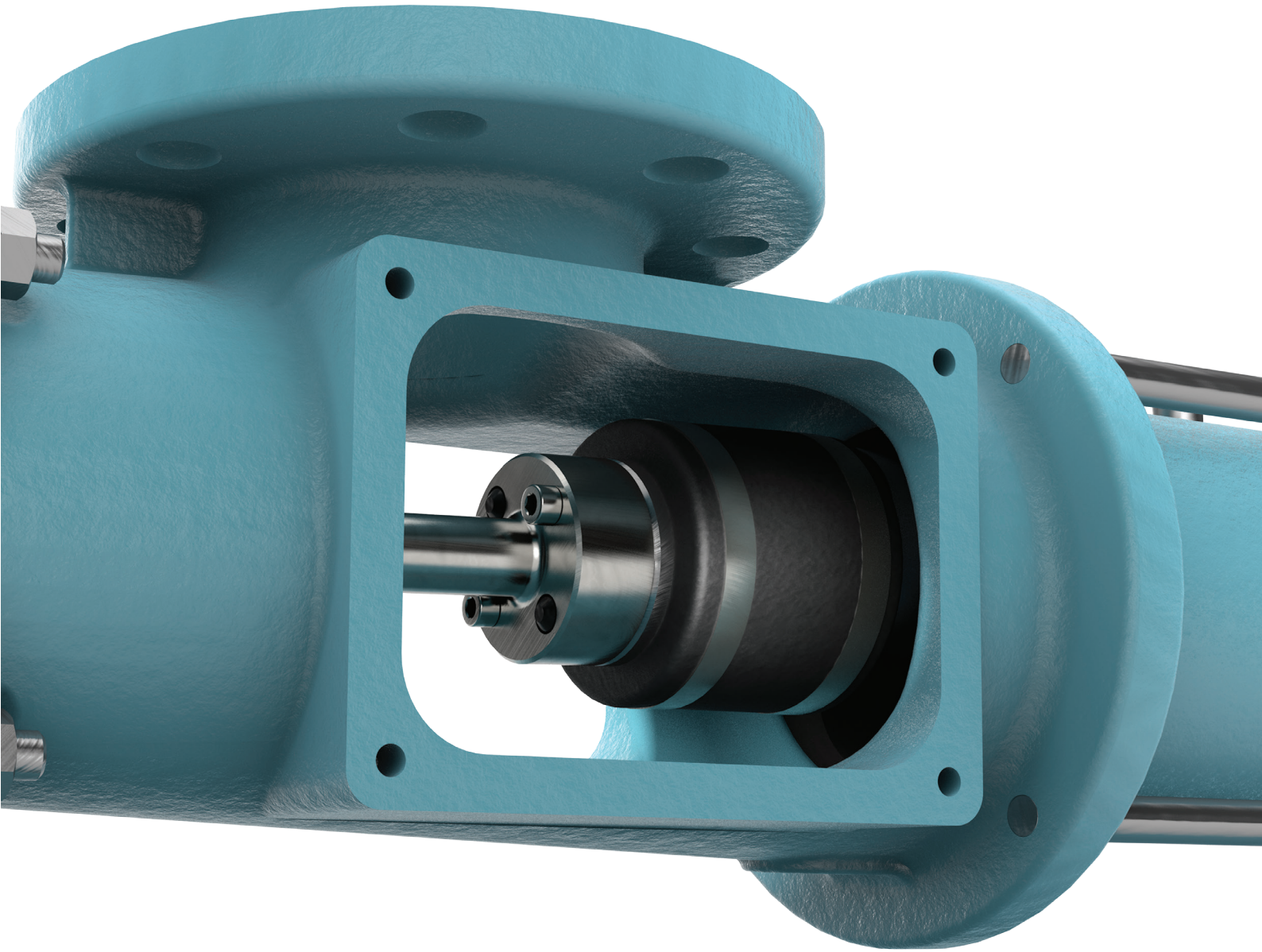
ברלין טכנולוגיות בע"מ
שדרות גן רוזה 13, יבנה, 8122214
<http://www.berlintech.co.il/>
mail@berlintech.co.il
טלפון: 073-7597171
פקס: 08-6638120



EVEN YOUR BEST EMPLOYEES
AREN'T QUICK ENOUGH TO CUT
YOUR PUMP MAINTENANCE
TIMES BY 85%.

UNTIL NOW.

ALLWEILER OPTIFIX PROGRESSING CAVITY PUMPS



WE'RE ABOUT TO CHANGE THE WAY YOU LOOK AT PUMP MAINTENANCE

When it comes to the maintenance of progressing cavity pumps, every second counts and costs. The Allweiler OptiFix progressing cavity pumps were designed to make maintenance faster, less frequent and simpler than ever. Offering breakthrough features like a patented zero play stub shaft connection and a high-quality joint construction, this pump can be maintained, repaired or upgraded in a fraction of the time. In fact, OptiFix has a specially designed dismounting device that enables you to remove the stator and rotor while the discharge casing and suction casing are still installed in the piping, giving it best-in-class mean time to repair (MTTR).

UP TO **85%**
FASTER
MAINTENANCE
TIMES

compared to previous Allweiler designs

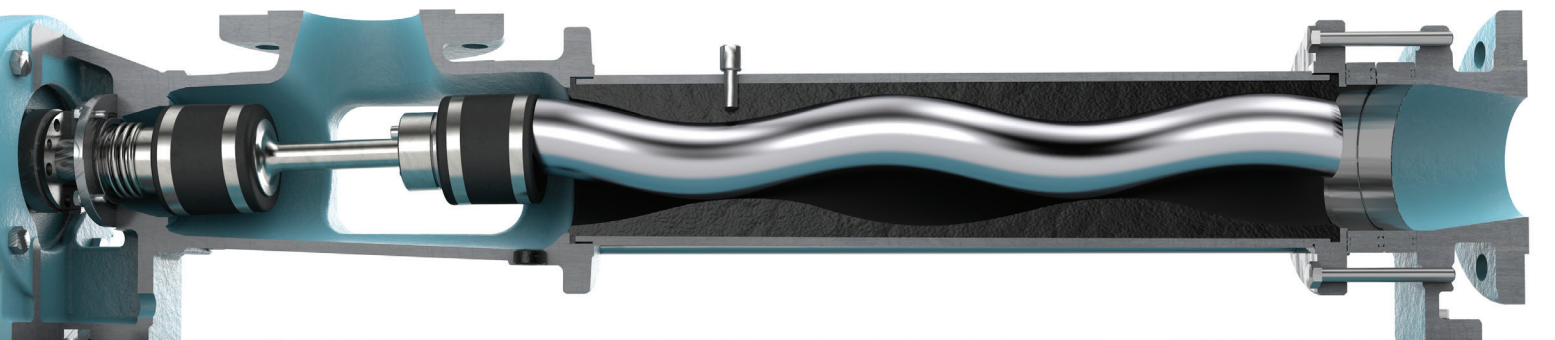
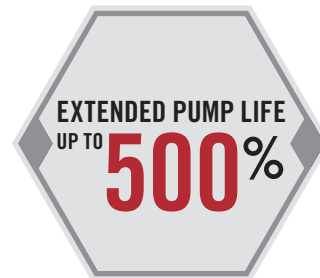
EASY DISASSEMBLY IS JUST THE BEGINNING

The Allweiler OptiFix progressing cavity pump is also:

- › **Built to last** – While the OptiFix is designed for easy maintenance, we made sure that updated design didn't compromise the durability of the stator and rotor.
- › **Built to perform** – The new design also offers uncompromising performance and volumetric efficiency.
- › **Built to fit** – With robust and compact construction, the OptiFix's reduced footprint allows it to be installed in more places than ever.
- › **Built to run** – The self-centering extension piece between the stator and discharge casing and optimized sealing of parts against each other make cleaning, reassembly and maintenance easier, which in turn means less potential failures.

KEEP OPERATIONS FLOWING

Designed to deliver superior speed and efficiency, OptiFix's easy exchange design is fully optimized for safe and streamlined inspections, parts removal and service operations. Plus, when you choose to outfit your pump with an ALLDUR® stator, you can extend pump life up to 500%—drastically reducing your total cost of ownership.



LESS
MAINTENANCE

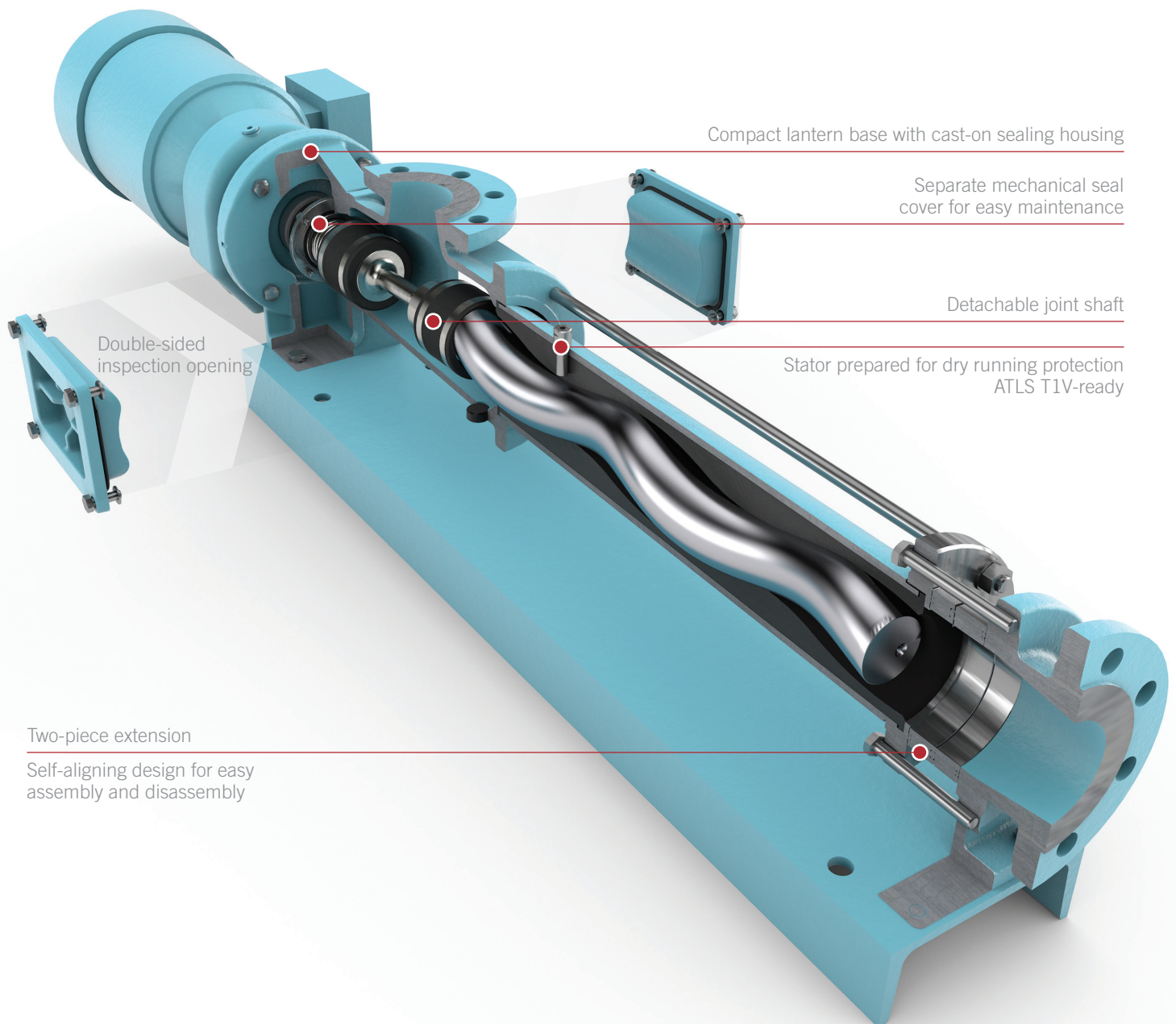


LESS
DOWNTIME



LESS SERVICE
COSTS

LONGER LIFE. LOWER COSTS.



Two-piece extension

Self-aligning design for easy assembly and disassembly

A PUMP WORTH PROTECTING

The ATLS-T1V sensor prevents catastrophic breakdowns and downtime by detecting dry-running conditions. Other features include:

- › No sensor contact with the rotor or pumped fluid, which helps avoid leakage
- › No required drilling, mounting, or adjustment of the sensor sleeve means easier installation and maintenance
- › Heat transfer from the stator to the sensor sleeve allows for safe pump operation and early dry-running detection

DISASSEMBLES IN 5 EASY STEPS



- › Remove screws and extension piece
- › Remove stator
- › Remove inspection cover and rotor
- › Remove screws and loosen tensioning set
- › Remove mechanical seal, drive-side joint and shaft

TO SEE THE ALLWEILER OPTIFIX'S DISASSEMBLY FIRST-HAND VISIT CIRCORPT.COM/OPTIFIX

SPARE PART KITS AVAILABLE

Built with uncompromising quality and to meet or exceed OEM specifications, these factory-certified aftermarket spare parts will add new life to your pump.

- › Rotor with mounted joint
- › Plug shaft with mounted joint



THE OPTIFIX IS FOUND IN A NUMBER OF INDUSTRIES INCLUDING:



It's also designed to excel with applications that involve:

- › Consistencies from liquid to pasty
- › Substances with solid content
- › Shear-sensitive liquids
- › Lubricating and non-lubricating fluids
- › Dilatant liquids
- › Abrasive fluids
- › Adhesives

MULTIPLE SERIES FOR MULTIPLE INDUSTRIES

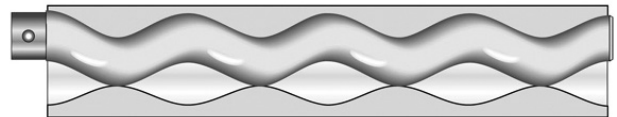
Available in two rotor/stator geometry choices, the Allweiler OptiFix pump can be adapted to meet various flow and pressure requirements. These geometries come in multiple sizes, so you're sure to find a pump that meets the specifications of your system and application.

AEB 2E-MF SERIES

Size	Max Pressure
AEB 2E 200-MF	10 bar
AEB 2E 380-MF	10 bar
AEB 2E 750-MF	10 bar

This geometry allows for:

- › Low flow velocity/NPSH
- › Gentle conveyance of compacted products or large suspended solids
- › Compact dimensions

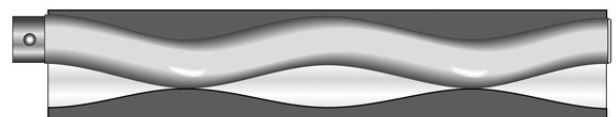


AEB 1F-MF SERIES

Size	Max Pressure
AEB 1F 403-MF	6 bar
AEB 1F 553-MF	6 bar
AEB 1F 703-MF	6 bar
AEB 1F 1003-MF	6 bar
AEB 1F 1603-MF	6 bar

This geometry allows for:

- › Volumetric efficiency
- › Long service life
- › Compact dimensions with high flow rates





CIRCOR is a market-leading, global provider of integrated flow control solutions, specializing in the manufacture of highly engineered valves, instrumentation, pumps, pipeline products and services, and associated products, for critical and sever service applications in the oil and gas, power generation, industrial, process, maritime, aerospace, and defense industries.

Excellence In Flow Control

Asia | Europe | Middle East | North America | South America

ALLWEILER GmbH
Postfach 20 01 23, 46223 Bottrop Germany
+49 (0)2045 966-60

ALLWEILER GmbH
Postfach 1140, 78301 Radolfzell Germany
+49 (0)7732 86

www.CIRCORPT.com/optifix

©2018 CIRCOR. All rights reserved.



ALLWEILER®