



Warren Pumps  
**GTS 2100 Series**  
 Medium Pressure Two Screw Pumps



Two-Screw Team



ברלין טכנולוגיות בע"מ  
 שדרות אן רוהה 13, יבנה, 8122214  
<http://www.berlintech.co.il/>  
[mail@berlintech.co.il](mailto:mail@berlintech.co.il)  
 טלפון: 073-7597171  
 פקס: 08-6638120



## GTS 2100 Series Medium Pressure Two Screw Pumps

Formerly a product of our sister division IMO Pump, the GTS product line has now moved to Colfax Pump Group's North American Two Screw Center of Excellence.

- Capacities to 6000 GPM
- Discharge pressures to 600 PSI
- Viscosities to 4,500,000 SSU

### Advantages

- **Variable Capacity** – Design permits a wide pumping range per case size
- **Engineered Construction** – Insures accurate assembly
- **Self-Priming / Low NPSH Requirements** – Inlet design insures maximum suction event after running dry
- **Controlled Fluid Temperature** – Pumping cavity has integral chamber for steam or hot oil heating of viscous fluids on start-up
- **No Cooling Required** – High efficiency timing gears and oversized lube oil reservoir eliminates costly external cooling system

### Applications

- Crude oil
- Asphalts and tars
- Aromatic, naphthenic and aliphatic intermediates
- Fats, oils, waxes and soaps
- Molasses, glycerol, glues
- Paints, resins and polymers

### Options

- Integral relief valve (applicable for normal flow direction only)
- Hard faced screws
- Nitrided screws
- Chrome-plated body bores



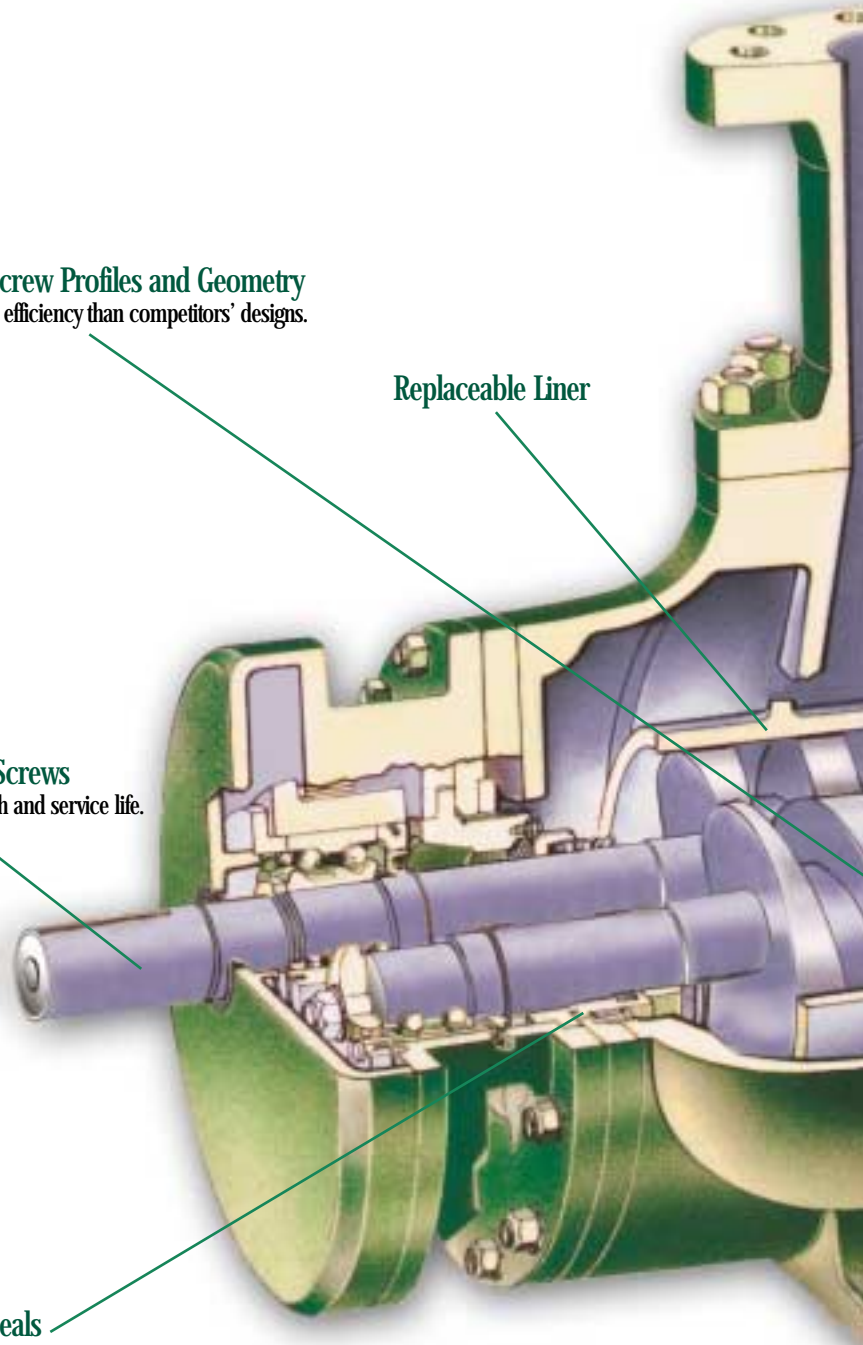
*Typical GTS 208 Crude Oil  
Pumping Station Application*

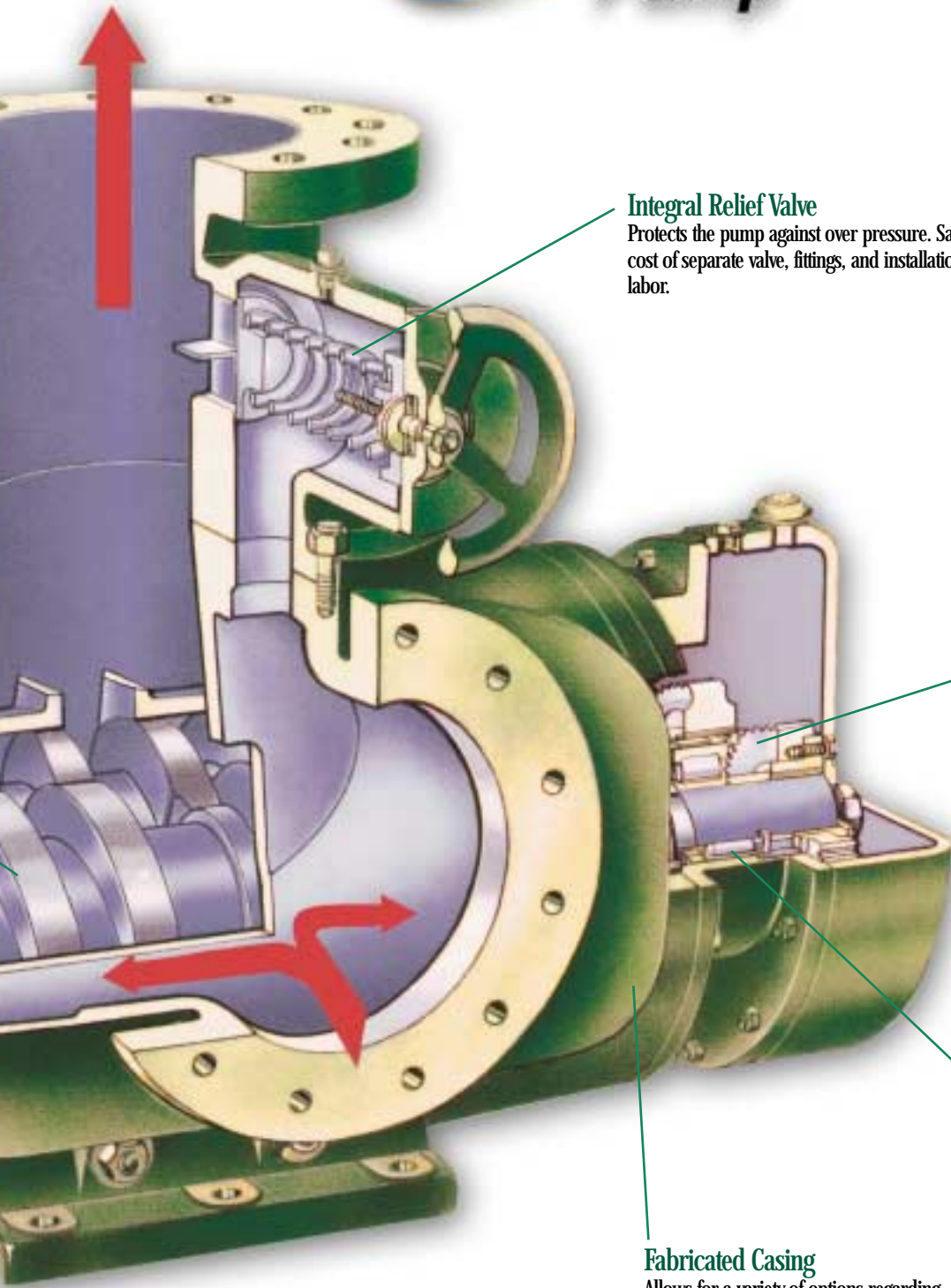
**Improved Screw Profiles and Geometry**  
Provides better efficiency than competitors' designs.

**Replaceable Liner**

**Integral Shaft and Screws**  
Provide superior strength and service life.

**Mechanical Seals**  
Available in a wide variety of configurations.





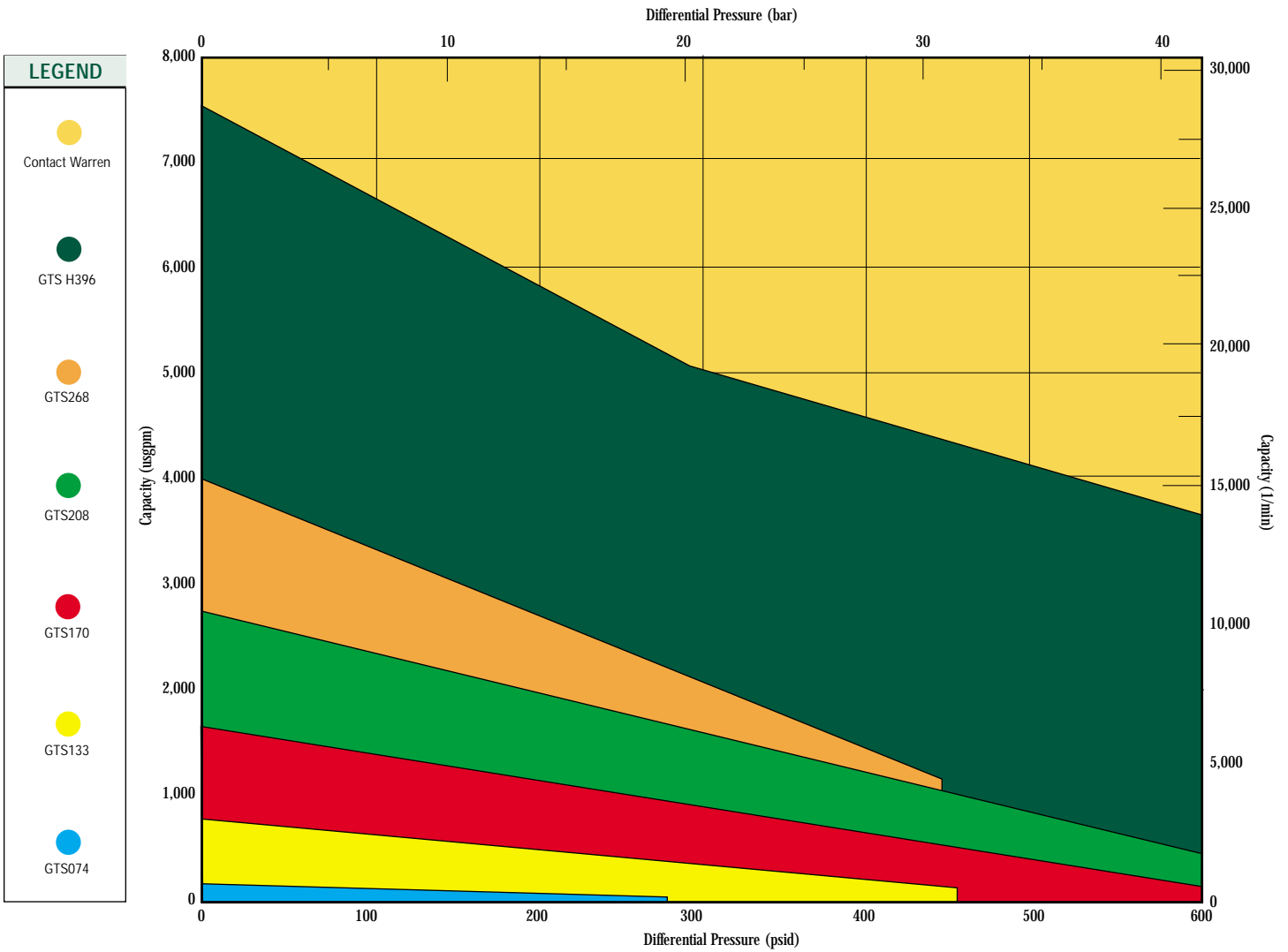
**Integral Relief Valve**  
Protects the pump against over pressure. Saves cost of separate valve, fittings, and installation labor.

**External Bearings and Timing Gears**  
Allows pumping of virtually any fluid.

**Heavy Duty Roller Bearings**

**Fabricated Casing**  
Allows for a variety of options regarding port size and location.

# GTS Quick Selection Chart



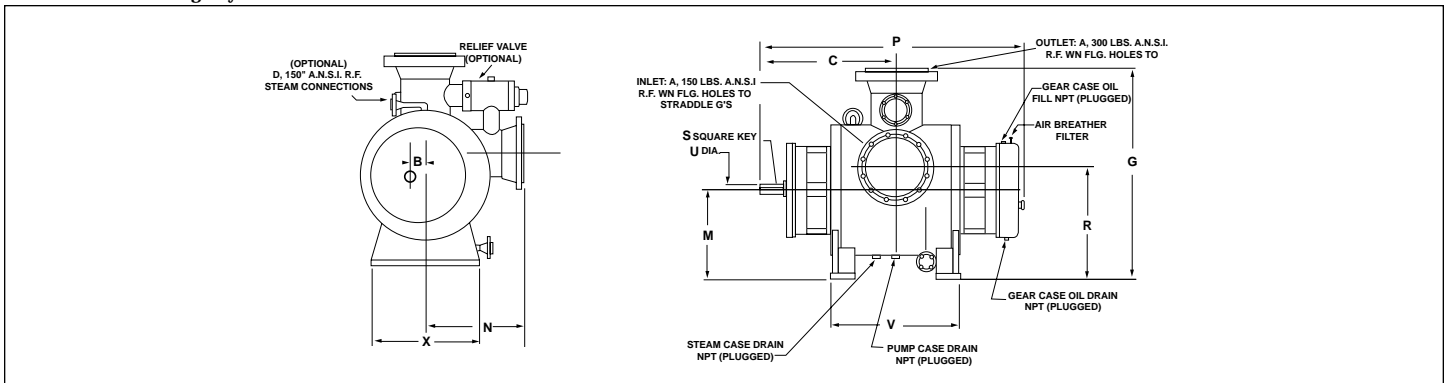
## Approximate Dimensions - Housing available with fabricated casing except where noted.

PUMP SIZE	A	B	C SHORT	C LONG	G	M	N	P SHORT	P LONG	R	S	U	V	X
**074	2	1 <sup>3</sup> / <sub>16</sub>	11 <sup>7</sup> / <sub>16</sub>	14 <sup>13</sup> / <sub>32</sub>	16	4 <sup>3</sup> / <sub>4</sub>	6 <sup>5</sup> / <sub>16</sub>	23 <sup>9</sup> / <sub>16</sub>	29 <sup>3</sup> / <sub>8</sub>	6 <sup>3</sup> / <sub>16</sub>	3 <sup>1</sup> / <sub>16</sub>	<sup>875</sup> / <sub>.874</sub>	7 <sup>7</sup> / <sub>8</sub>	8 <sup>7</sup> / <sub>8</sub>
133	6	2	17 <sup>1</sup> / <sub>2</sub>	21 <sup>3</sup> / <sub>8</sub>	35 <sup>13</sup> / <sub>16</sub>	13 <sup>3</sup> / <sub>16</sub>	19 <sup>11</sup> / <sub>16</sub>	34 <sup>3</sup> / <sub>4</sub>	43 <sup>1</sup> / <sub>16</sub>	16 <sup>1</sup> / <sub>8</sub>	1 <sup>1</sup> / <sub>2</sub>	1 <sup>3</sup> / <sub>4</sub>	17 <sup>7</sup> / <sub>16</sub>	13
170	8	2 <sup>1</sup> / <sub>2</sub>	23 <sup>7</sup> / <sub>8</sub>	27 <sup>7</sup> / <sub>8</sub>	35 <sup>3</sup> / <sub>4</sub>	15 <sup>3</sup> / <sub>4</sub>	18	44 <sup>7</sup> / <sub>8</sub>	52 <sup>7</sup> / <sub>8</sub>	19 <sup>11</sup> / <sub>16</sub>	1	2 <sup>1</sup> / <sub>8</sub>	22 <sup>1</sup> / <sub>2</sub>	16
208	10	3 <sup>5</sup> / <sub>32</sub>	26 <sup>7</sup> / <sub>16</sub>	30 <sup>11</sup> / <sub>16</sub>	43 <sup>11</sup> / <sub>16</sub>	18 <sup>11</sup> / <sub>16</sub>	20 <sup>1</sup> / <sub>2</sub>	51 <sup>15</sup> / <sub>16</sub>	60 <sup>9</sup> / <sub>16</sub>	23 <sup>3</sup> / <sub>8</sub>	5 <sup>5</sup> / <sub>8</sub>	2 <sup>3</sup> / <sub>8</sub>	27 <sup>9</sup> / <sub>16</sub>	23 <sup>3</sup> / <sub>8</sub>
268	12	3 <sup>3</sup> / <sub>4</sub>	26 <sup>7</sup> / <sub>16</sub>	30 <sup>9</sup> / <sub>8</sub>	48	22	24	51 <sup>5</sup> / <sub>16</sub>	60 <sup>9</sup> / <sub>8</sub>	26 <sup>7</sup> / <sub>16</sub>	5 <sup>5</sup> / <sub>8</sub>	2 <sup>3</sup> / <sub>8</sub>	26 <sup>13</sup> / <sub>16</sub>	25 <sup>5</sup> / <sub>8</sub>
396	20	6	43 <sup>7</sup> / <sub>16</sub>	NA	82 <sup>11</sup> / <sub>16</sub>	31 <sup>1</sup> / <sub>2</sub>	39 <sup>3</sup> / <sub>8</sub>	89 <sup>9</sup> / <sub>16</sub>	NA	47 <sup>11</sup> / <sub>32</sub>	1	4 <sup>3</sup> / <sub>4</sub>	35 <sup>5</sup> / <sub>16</sub>	39 <sup>3</sup> / <sub>8</sub>

\* All dimensions in inches; NOT TO SCALE

This drawing is provided for arrangement only. Request factory certified drawing at time of order.

\*\* Available in Cast Casing only - Not available with liner.



Proud Members Of



Warren Pumps Inc. • 82 Bridges Ave. • PO Box 969 • Warren, MA 01083-0969 USA

Ph. 413-436-7711 • Fax 413-436-5605 • www.warrenpumps.com • email: warrensales@colfaxcorp.com

WP 6/02 5M