

®

BERLINTECH

B
BERLIN
Technologies

ברלין טכנולוגיות בע"מ
שדרות גן רוזה 13, יבנה, 8122214
<http://www.berlintech.co.il/>
mail@berlintech.co.il
טלפון: 073-7597171
פקס: 08-6638120

***Pompe per vuoto
ad anello liquido***

***Liquid ring
vacuum pumps***

***nuova serie
new series***



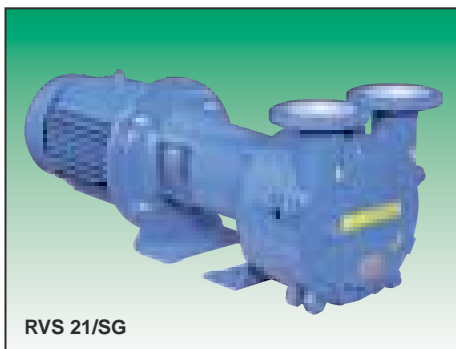
RVS 3/M

Le pompe per vuoto RVS sono pompe ad anello liquido monostadio con le seguenti caratteristiche:

- pressioni di aspirazione fino a 33 mbar abs;
- portate fino a 4200 m³/h;
- possibilità di aspirare gas e vapori, anche in presenza di liquido trascinato;
- compressione dei gas praticamente isotermica;
- gas aspirato non inquinato da lubrificanti;
- esercizio affidabile e manutenzione minima;
- rumore e vibrazioni contenuti;
- ampio campo di impiego grazie alla gamma di materiali di costruzione.

RVS liquid ring vacuum pumps are a single stage block model with following features:

- vacuum pressure up to 33 mbar abs;
- suction capacity up to 4200 cu.m/h;
- able to pump gases and vapours;
- able to handle liquid together with gas;
- nearly isothermal compression of gases;
- no lubricant in contact with pumped gases;
- safe operation and minimum maintenance;
- reduced noise and vibration;
- can be used for different applications with proper selection of construction materials and service fluid.



RVS 21/SG

CAMPI DI IMPIEGO

Le pompe RVS si impiegano per aspirare gas e vapori nei diversi settori dell'industria chimica, farmaceutica, alimentare, ospedaliera, cartaria, saccarifera, tessile ed energetica, in processi di sterilizzazione in autoclave, concentrazione, essiccazione, impregnazione, estrusione di materie plastiche, degasaggio ed estrazione di incondensabili da condensatori.

FIELDS OF APPLICATION

The RVS pumps are suitable to compress gas and vapours in the process of sterilization, concentration, drying, impregnation, plastic extrusion, degassing and extraction of non-condensable gas from condensers in the chemical, pharmaceutical, food, pulp and paper, sugar, textile, in power plant industry and in hospitals.

CARATTERISTICHE COSTRUTTIVE

- Nuova piastra di distribuzione brevettata in lamiera di acciaio inox tagliata al laser.
- Nuovo supporto per la versione /SG intercambiabile con la serie RMV.

DESIGN FEATURES

- New patented, laser cut, stainless steel distribution plate.
- New bearing bracket for /SG version interchangeable with RMV pump type.



RVS 25/CT

Supportazione

Le pompe /M (grandezze 3÷16) sono montate direttamente su albero e flangia del motore elettrico.

Le pompe /SG (grandezze 7÷21) sono montate a sbalzo su un supporto con cuscinetti schermati e lubrificati a vita con grasso.

Le pompe delle grandezze 23÷60 hanno due supporti con cuscinetti lubrificati a grasso (schermati e lubrificati a vita per 23-25).

Bearing bracket

The pumps of the type /M (sizes 3÷16) are directly coupled to the flange of an electric motor and the impeller is supported by the electric motor standard bearings. The pumps of the type /SG (sizes 7÷21) are supported by a bearing bracket with two sealed bearings life lubricated with grease. The vacuum pumps sizes 23÷60 have two bearing brackets with bearings grease lubricated (sealed and life lubricated for sizes 23-25).

Tenuta sull'albero

Fino alla grandezza 25 sono montate tenute meccaniche singole normalizzate EN 12756 (ex. DIN24960) flussate dal liquido di servizio.

Le grandezze 30-60 montano di serie tenute a baderna (su richiesta tenute meccaniche singole o doppie) flussate dal liquido di servizio.

L'albero non è a contatto con il liquido ed i gas convogliati (ad esclusione delle 23-25).

Drive shaft seals

Up to size 25 the shaft is sealed by single mechanical seals according to EN 12756 (ex. DIN24960), flushed by service liquid. The shaft of sizes 30-60 is sealed by soft packing seal flushed with service liquid in the standard design. Single or double mechanical seals flushed from external source are available upon request.

The shaft is not in contact with pumped liquids or gases (excluded sizes 23-25).



RVS 40/CT

Note di funzionamento

Durante l'utilizzo la pompa deve essere continuamente alimentata con liquido di servizio, normalmente acqua (ma è possibile impiegare anche olii, solventi, ecc.), per smaltire il calore generato dalla compressione del gas e rimpiazzare il liquido di servizio che esce dalla pompa assieme al gas. Il liquido di servizio scaricato può essere separato dal gas in un separatore e riutilizzato parzialmente o totalmente previo raffreddamento.

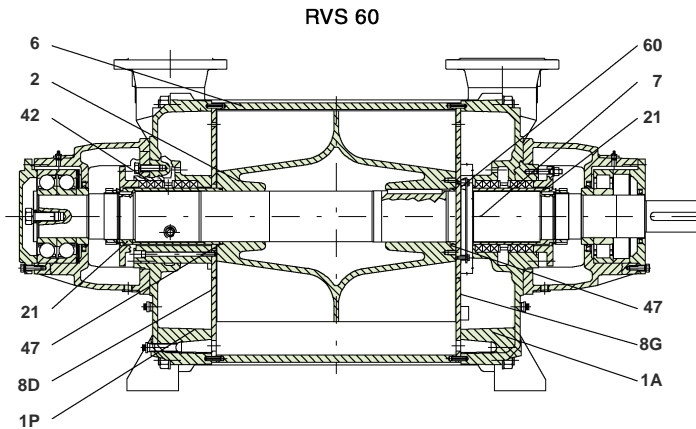
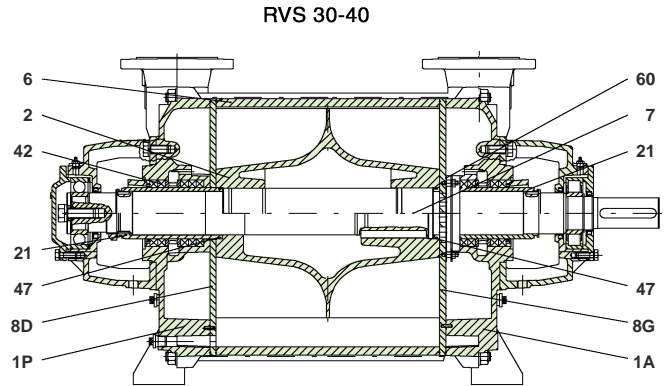
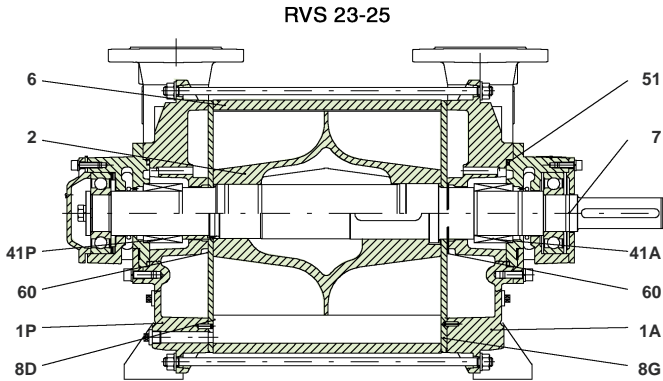
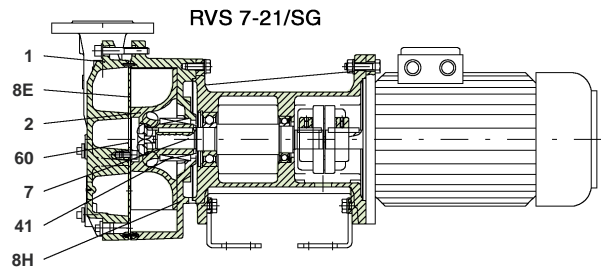
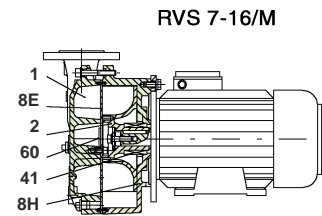
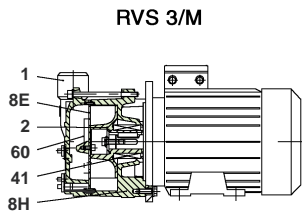
Note

The pump must be continuously fed with service liquid, normally water (oils, organic liquids, etc. can also be used), while working in a sufficient rate to eliminate the heat produced by the compression of gases and to replace any liquid which flows out of the pump together with the gas. The service liquid can be separated from the gas in a liquid separator and can be recirculated either partially or entirely, after intermediate cooling. Under difficult working conditions, a device can be installed for to reduce the cavitation problem.



RVS 60/CT

Per condizioni di funzionamento gravose, si può installare un dispositivo che riduce sensibilmente i problemi di cavitazione.



POS.	PARTICOLARE - COMPONENT	ESECUZIONE MATERIALI - MATERIAL EXECUTION			
		02 (1)	09 (2)	24 (2)	06 (2)
1 - 1A/P	Corpo - Body	G250 UNI ISO 185			GX 6CrNiMo 2011 UNI 3161
2	Girante - Impeller	G-CuSn5Zn5Pb5 UNI7013	GS400-15 UNI ISO 1083	GX 6CrNiMo 2011 UNI 3161	
6	Elemento - Casing	–	Fe 510 UNI 7070	X 5CrNiMo 1712 UNI 6901	
7	Albero - Shaft	RVS 7÷21	C40 UNI 7845		
		RVS 23-25	–	X 30Cr13 UNI 6901	X 5CrNiMo 1712 UNI 6901
		RVS 30-40	–	C40 UNI 7845	
8E/G/D	Piastra - Plate	X 5CrNiMo 1712 UNI 6901			
8H	Piastra con elemento - Plate with element	G250 UNI ISO 185			GX 6CrNiMo 2011 UNI 3161
21	Camicia albero - Shaft sleeve	–	X 30Cr13 UNI 6901	X 5CrNiMo 1712 UNI 6901	
41-41A/P	Tenuta meccanica - Mechanical seal	X6CrNiMoTi1713/Grafite-Carbon/SIC/Viton			
42	Tenuta a baderna - Soft packing seal	–	Fibra aramidica 40% PTFE/Aramidic fibre 40% PTFE		
47-51	O-rings - O-rings	–	Viton		
60	Valvola - Valve	PTFE			
–	Guarnizioni - Seal	Sigillante anaerobico - Anaerobic seal			

(1) Solo per le grandezza 3
(2) Tranne per grandezza 3

(1) For size 3 only
(2) Except for size 3

DESIGNAZIONE - DESIGNATION

Pompa per vuoto - Vacuum pump				Gruppo pompa - Pump package				Unità per vuoto - Vacuum unit			
RVS 16 / SG - 09				L RVS 30 / CT - 06				KRVS 14 / SG / T - 06			
GRANDEZZA SIZE 3+40				SERIE SERIES C GIUNTO COUPLING L CINGHIE BASCULANTE V-BELT SELF TENSIONING				GRANDEZZA SIZE 7+40			
VERSIONE VERSION M MONOBLOCCO 3+16 CLOSE COUPLED SG SOPPORTO 7+21 BRACKET CT COLLETTORI 23+60 MANIFOLDS CR SEPARATORE 23+40 SEPARATOR				GRANDEZZA POMPA PUMP SIZE 23+60				VERSIONE POMPA PUMP VERSION M MONOBLOCCO 7+16 CLOSE COUPLED SG SOPPORTO 7+21 BRACKET CT COLLETTORI 23+60 MANIFOLD			
ESECUZIONE EXECUTION 02 09 24 06				VERSIONE POMPA PUMP VERSION CT COLLETTORI 23+60 MANIFOLD CR SEPARATORE 23+40 SEPARATOR				VERSIONE UNITÀ UNIT VERSION P RICIRCOLO PARZIALE PARTIAL RECIRCULATION T RICIRCOLO TOTALE TOTAL RECIRCULATION			
				ESECUZIONE POMPA PUMP EXECUTION 09 24 06				ESECUZIONE POMPA PUMP EXECUTION 09 24 06			

DATI TECNICI - TECHNICAL DATA

	RVS3	RVS7	RVS14	RVS16	RVS17	RVS21	RVS23	RVS25	RVS30	RVS40	RVS60
Velocità di rotazione pompa 50Hz min Pump rotation speed 60 Hz	2850 3420				1450 1750				970 1170		740 888
Potenza installata (1)50 Hz kW Motor power (1) 60 Hz	1,5 2,2	3 4	4 5,5	5,5 7,5	7,5 11	11 15	15 18,5	22 30	30 37	45 55	90 127
Pressione di aspirazione minima (2) mbar Min suction pressure (2)	33										
Max sovrappressione di scarico /M mbar Max discharge overpressure /SG	100 -		100 200		- 200		200			300	
Max temperatura gas aspirato °C Max temperature of gas	100										
Max temperatura liquido di servizio °C Max temperature of service liquid	70										
Max viscosità liquido di servizio mm ² /s Max viscosity of service liquid	8						20				
Q.tà di liquido alla mezzzeria della pompa l Contents of liquid in the pump up to shaft level	0,25	1,1	1,5	2,3	3	4	6	8	15	24	95
Momento d'inerzia parti rotanti kg m ² Inertia moment of rotation parts	0,004	0,05	0,06	0,11	0,15	0,23	0,33	0,51	2,16	3,33	8,5
Rumorosità ad 80 mbar (3) dB(A) Noise level at 80 mbar	72						74	76	78	79	82

(1) Motori di grandezza superiore possono essere installati a richiesta (fino alla grandezza 21 solo per la versione /SG).

(2) Pressioni di aspirazione inferiori, fino a 8 mbar, sono ottenibili mediante combinazione con eiettore a gas.

(3) Escluso rumore di scarico.

(1) Bigger motor sizes can be installed under request (until size 21 only for the /SG pump).

(2) Lower suction pressure, up to 8 mbar, can be obtained using a gas ejector.

(3) Discharge noise excluded.

ALIMENTAZIONE LIQUIDO DI SERVIZIO - SERVICE LIQUID FLOW

La portata di liquido di servizio nel caso di aspirazione di aria secca, in funzione della pressione di aspirazione e della differenza di temperatura, è data dalla tabella seguente (espressa in m³/h).

The service fluid flow when pumping dry air, dependant on suction pressure and temperature difference, is shown in the following table (cu.m/h).

Pompa Pump	Hz	Pressione di aspirazione - Suction pressure								
		33 ÷ 200 mbar		200 ÷ 600 mbar		> 600 mbar				
		LP	RP	LP	RP	LP	RP	LP	RP	
3	50	0.48	0.18	0.11	0.42	0.16	0.10	0.36	0.14	0.09
	60	0.62	0.24	0.14	0.55	0.21	0.13	0.47	0.18	0.10
7-14	50	0.80	0.30	0.18	0.72	0.27	0.17	0.60	0.22	0.14
	60	0.95	0.36	0.22	0.86	0.32	0.20	0.72	0.27	0.17
16-17-21	50	1.15	0.43	0.27	0.95	0.36	0.22	0.85	0.32	0.20
	60	1.40	0.53	0.32	1.15	0.43	0.27	1.00	0.38	0.23

LP = Funzionamento con liquido di servizio fresco (a perdere).

RP = Funzionamento con liquido di servizio combinato, con differenza di temperatura fra liquido fresco e liquido riciclato rispettivamente di 5 e 10° C.

Pompa Pump	Hz	Pressione di aspirazione - Suction pressure								
		33 ÷ 200 mbar		200 ÷ 600 mbar		> 600 mbar				
		LP	RP	LP	RP	LP	RP	LP	RP	
23	50	2.00	1.00	0.70	1.80	1.00	0.70	1.50	0.88	0.63
	60	2.40	1.20	0.84	2.16	1.20	0.84	1.80	1.05	0.75
25	50	2.60	1.41	0.97	2.30	1.37	0.98	2.10	1.25	0.89
	60	3.12	1.70	1.16	2.76	1.64	1.17	2.52	1.50	1.07
30	50	5.10	2.10	1.32	3.90	2.05	1.39	3.30	1.78	1.22
	60	6.12	2.52	1.58	4.68	2.46	1.66	3.96	2.13	1.46
40	50	6.00	2.85	1.87	4.70	2.78	1.97	4.20	2.55	1.83
	60	7.20	3.45	2.24	5.60	3.33	2.36	5.00	3.06	2.19
60	50	11.00	5.23	3.42	8.85	5.20	3.71	5.10	3.10	2.21
	60	13.00	6.20	4.00	10.50	6.17	4.41	5.55	3.47	2.33

LP = Using fresh service liquid.

RP = Using mixed service liquid with temperature difference between fresh and recycled liquid of 5 and 10° C.

PRESTAZIONI - PERFORMANCES

GRANDEZZA	Pasp	mbar	33		40		60		80		100		200		400		800	
		torr	25		30		45		60		75		150		300		600	
		inch Hg	1.0		1.2		1.8		2.4		3.0		5.9		11.8		23.6	
SIZE	Hz	50	60	50	60	50	60	50	60	50	60	50	60	50	60	50	60	
3	Qdry	m3/h	10,0	12,0	15,0	18,0	24,0	28,0	28,0	33,0	31,0	36,5	36,0	42,5	39,0	46,5	40,0	47,0
	Qwet	m3/h	19,0	22,0	24,0	29,0	32,0	37,0	34,0	40,0	36,0	42,0	38,0	45,0	40,0	48,0	40,0	47,0
	Na	kW	1,00	1,30	1,00	1,40	1,10	1,60	1,20	1,70	1,25	1,75	1,45	2,05	1,50	2,15	1,25	1,80
7	Qdry	m3/h	40,0	44,0	50,0	58,0	65,0	84,0	73,0	95,0	79,0	103,0	91,0	120,0	99,0	128,5	99,0	130,0
	Qwet	m3/h	77,0	85,0	82,0	96,0	87,0	113,0	90,0	117,0	93,0	121,0	98,0	130,0	103,0	133,0	101,0	132,0
	Na	kW	1,70	2,40	1,80	2,50	2,05	2,80	2,20	3,00	2,30	3,20	2,60	3,80	2,70	3,90	2,50	3,50
14	Qdry	m3/h	58,0	60,0	69,0	75,0	90,0	105,0	100,0	122,0	106,0	132,0	118,0	153,0	123,0	164,5	123,0	169,0
	Qwet	m3/h	109,0	113,0	111,0	121,0	119,0	139,0	122,0	149,0	124,0	154,0	127,0	165,0	127,0	170,0	125,0	172,0
	Na	kW	2,20	3,20	2,40	3,40	2,60	3,70	2,75	4,00	2,90	4,20	3,25	4,60	3,30	4,80	2,95	4,30
16	Qdry	m3/h	94,0	102,0	118,0	130,0	155,0	172,0	175,0	195,0	185,0	209,0	202,0	236,0	203,0	245,0	200,0	240,0
	Qwet	m3/h	184,0	200,0	196,0	216,0	209,0	233,0	217,0	242,0	219,0	247,0	219,0	256,0	211,0	255,0	204,0	245,0
	Na	kW	3,80	5,50	4,00	5,70	4,40	6,20	4,60	6,50	4,80	6,70	5,40	7,30	5,40	7,40	4,70	7,00
17	Qdry	m3/h	110,0	112,0	150,0	160,0	205,0	230,0	225,0	260,0	237,0	278,0	262,0	311,0	270,0	324,0	269,0	320,0
	Qwet	m3/h	207,0	211,0	242,0	258,0	272,0	306,0	275,0	318,0	277,0	325,0	282,0	335,0	280,0	336,0	274,0	326,0
	Na	kW	5,30	7,60	5,40	7,80	5,70	8,20	6,00	8,60	6,40	9,10	7,30	10,40	7,40	10,60	6,40	9,60
21	Qdry	m3/h	150,0	160,0	175,0	190,0	240,0	262,0	275,0	305,0	300,0	335,0	340,0	400,0	370,0	435,0	380,0	455,0
	Qwet	m3/h	269,0	287,0	273,0	296,0	312,0	341,0	332,0	368,0	347,0	387,0	364,0	428,0	382,0	450,0	386,0	462,0
	Na	kW	7,80	11,00	7,90	11,10	8,30	11,70	8,90	12,30	9,20	12,80	10,30	14,40	11,0	14,80	10,30	14,00
23	Qdry	m3/h	180,0	200,0	240,0	272,0	350,0	410,0	410,0	480,0	455,0	520,0	510,0	565,0	525,0	600,0	500,0	605,0
	Qwet	m3/h	347,0	386,0	395,0	450,0	470,0	552,0	506,0	590,0	536,0	613,0	551,0	612,0	546,0	624,0	510,0	617,0
	Na	kW	10,20	12,30	10,50	13,00	11,30	14,50	12,00	15,40	12,50	16,00	14,00	17,20	14,50	17,60	13,80	16,80
25	Qdry	m3/h	370,0	400,0	415,0	500,0	550,0	660,0	648,0	745,0	700,0	790,0	775,0	880,0	775,0	930,0	735,0	950,0
	Qwet	m3/h	673,0	727,0	653,0	787,0	720,0	864,0	785,0	903,0	812,0	917,0	832,0	944,0	802,0	963,0	748,0	966,0
	Na	kW	14,80	17,50	15,00	17,80	16,00	19,30	17,00	20,90	17,80	21,90	20,50	24,80	21,80	26,00	20,00	24,00
30	Qdry	m3/h	450,0	570,0	530,0	710,0	705,0	935,0	820,0	1050,0	890,0	1125,0	1030,0	1255,0	1060,0	1275,0	1050,0	1250,0
	Qwet	m3/h	878,0	1113,0	879,0	1178,0	952,0	1263,0	1016,0	1301,0	1052,0	1330,0	1116,0	1360,0	1103,0	1327,0	1071,0	1275,0
	Na	kW	18,50	28,00	20,00	28,50	22,00	30,00	23,00	31,50	24,00	32,50	27,50	36,00	28,00	36,70	25,00	34,00
40	Qdry	m3/h	875,0	900,0	101,0	1125,0	1270,0	1450,0	1390,0	1620,0	1460,0	1730,0	1580,0	1950,0	1610,0	1930,0	1540,0	1825,0
	Qwet	m3/h	1617,0	1663,0	1609,0	1792,0	1675,0	1912,0	1693,0	1973,0	1702,0	2017,0	1699,0	2098,0	1669,0	2001,0	1568,0	1858,0
	Na	kW	27,50	39,00	28,00	40,50	31,50	43,00	34,00	45,50	36,50	47,50	42,00	54,00	43,50	57,50	40,00	54,50
60	Qdry	m3/h	1900,0	2279,0	2200,0	2639,0	2634,0	3161,0	2859,0	3431,0	3000,0	3599,0	3300,0	3960,0	3354,0	4025,0	3354,0	4025,0
	Qwet	m3/h	3433,0	4120,0	3448,0	4137,0	3441,0	4129,0	3459,0	4150,0	3477,0	4137,0	3539,0	4247,0	3472,0	4167,0	3413,0	4096,0
	Na	kW	62,00	84,50	63,00	85,70	66,00	89,80	70,50	96,00	75,00	102,0	85,00	115,5	88,50	120,0	81,00	110,0

Pasp = Pressione assoluta di aspirazione
 Qdry = Portata aria secca a 20°C
 Qwet = Portata aria saturata a 20°C
 Na = Potenza assorbita dalla pompa

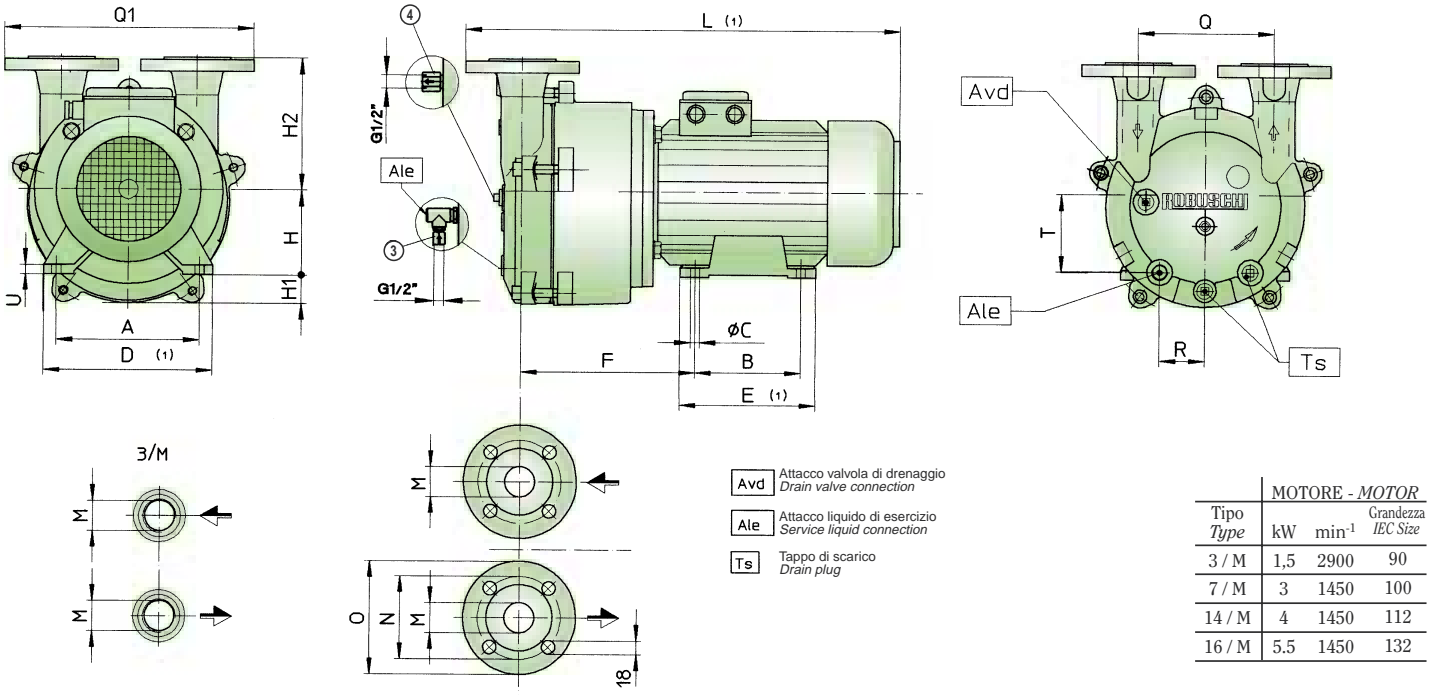
Pasp = Absolute suction pressure
 Qdry = Dry air capacity at 20°C
 Qwet = Saturated air capacity at 20°C
 Na = Absorbed power

I valori indicati della portata aspirata sono validi per la compressione di aria (rispettivamente secca o saturata) a 20°C dalla pressione di aspirazione fino alla pressione atmosferica (1013 mbar abs) con liquido di servizio a 15°C. La tolleranza delle curve è ±10%. Le prestazioni cambiano per condizioni operative diverse. I principali parametri che influenzano la portata aspirata sono: la densità del gas aspirato, le caratteristiche fisiche del liquido di servizio (tensione di vapore, temperatura, densità, viscosità), la temperatura del liquido di reintegro, la presenza di liquido trascinato dal gas aspirato, pressioni di scarico superiori a quella atmosferica, aspirazione di miscele gas/vapore, velocità di rotazione. In questi casi, per la corretta definizione dei parametri di funzionamento, Vi preghiamo di contattarci.

The values expressed for the suction capacity are valid for the compression of air (respectively dry air or saturated air) at 20°C from suction pressure to atmospheric pressure (1013 mbar abs) using water at 15°C as service liquid. The tolerance of curves is ±10%. Performances change according to operating conditions. The main parameters influencing suction capacity are: density of pumped gas, different physical characteristics of service liquid (vapour pressure, temperature, density, viscosity), integration liquid temperature, presence of liquid entrained along with the gas, discharge pressures above atmospheric pressure, suction of gas/vapour mixture, rotation speed. Should the units be used under non-standard conditions, please contact Robuschi S.p.A. (or an authorized distributor).

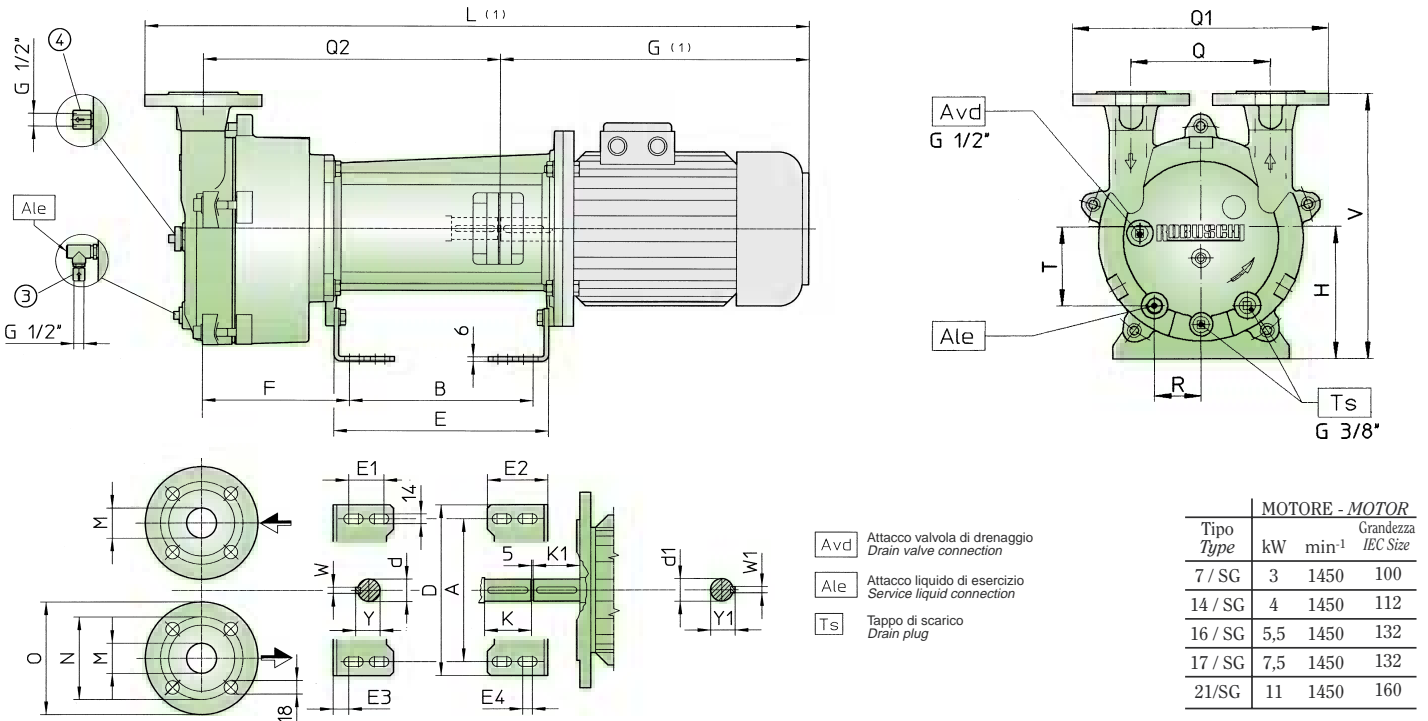
DIMENSIONI D'INGOMBRO - OVERALL DIMENSIONS

RVS 3 ÷ 16 / M



Tipo Type	A	B	C	D ⁽¹⁾	E ⁽¹⁾	F	H	H1	H2	L ⁽¹⁾	M DN inch	N	O	Q	Q1	R	T	U	Ale	Avd	Ts	Massa - Mass ⁽²⁾ kg
3 / M	140	100	9	174	155	177	90	10	115	425	- 1"	-	-	110	-	31.5	64.5	10	3/8"	3/8"	1/4"	25
7 / M	160	140	12	200	180	200	100	50	174	550	40 1.1/2"	110	150	180	330	50	112	12	1/2"	1/2"	3/8"	63
14 / M	190	140	12	230	180	225	112	38	174	590	40 1.1/2"	110	150	180	330	50	112	12	1/2"	1/2"	3/8"	72
16 / M	216	140	12	260	230	247	132	53	215	660	65 2.1/2"	145	185	200	385	65	138	16	3/4"	1/2"	3/8"	95

RVS 7 ÷ 21 / SG



Tipo Type	A	B	D	E	E1	E2	E3	E4	F	G ⁽¹⁾	H	L ⁽¹⁾	M DN inch	N	O	Q	Q1	Q2	R	T	V	d	K	Y	W	d1	K1	Y1	W1	Ale	Massa Mass ⁽²⁾ kg
7/SG	190	156	230	214	-	80	29	35	182	400	160	805	40 1.1/2"	110	150	180	330	325	50	112	334	28	43	31	8	28	60	31	8	1/2"	85
14/SG	190	156	230	214	-	80	29	35	200	400	160	825	40 1.1/2"	110	150	180	330	343	50	112	334	28	43	31	8	28	60	31	8	1/2"	95
16/SG	210	245	250	350	51	122	52.5	15	225	485	192	1045	65 2.1/2"	145	185	200	385	460	65	138	407	38	65	41	10	38	80	41	10	3/4"	135
17/SG	210	245	250	350	51	122	52.5	15	257	485	192	1075	65 2.1/2"	145	185	200	385	492	65	138	407	38	65	41	10	38	80	41	10	3/4"	155
21/SG	210	245	250	350	51	122	52.5	15	302	650	192	1255	65 2.1/2"	145	185	200	385	506	65	138	407	38	67	41	10	42	110	45	12	3/4"	195

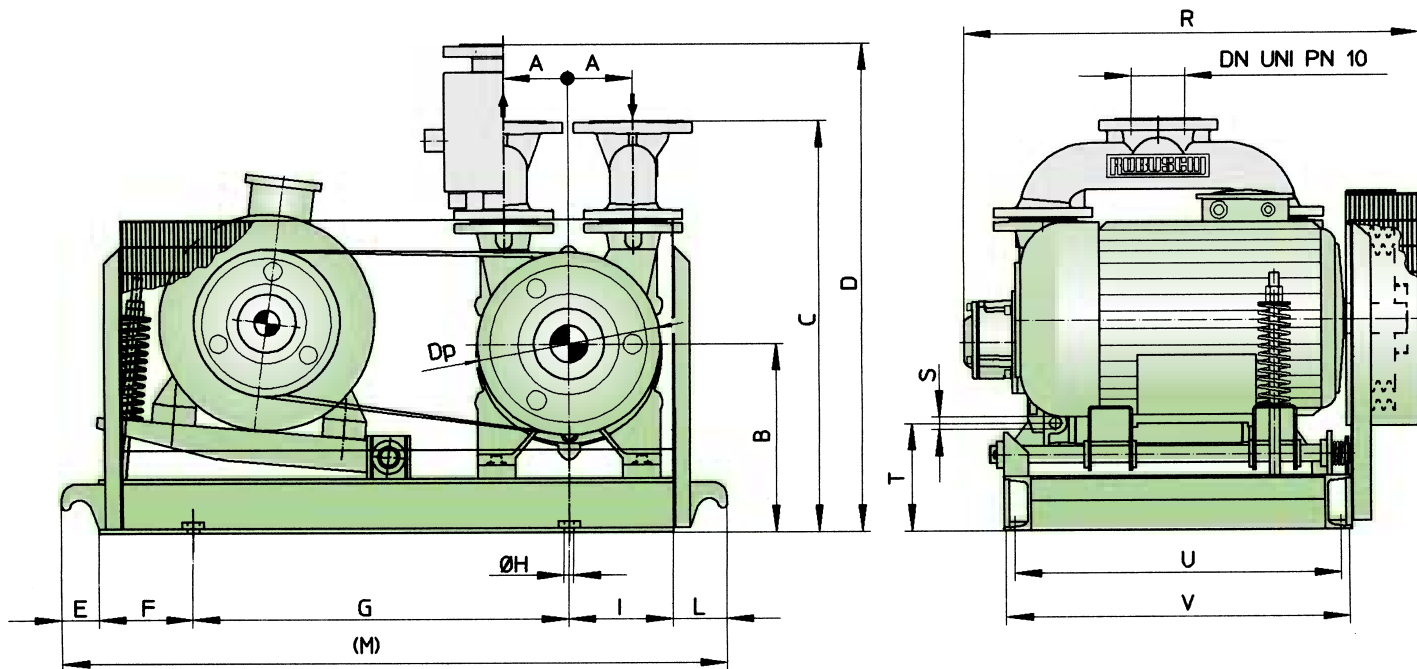
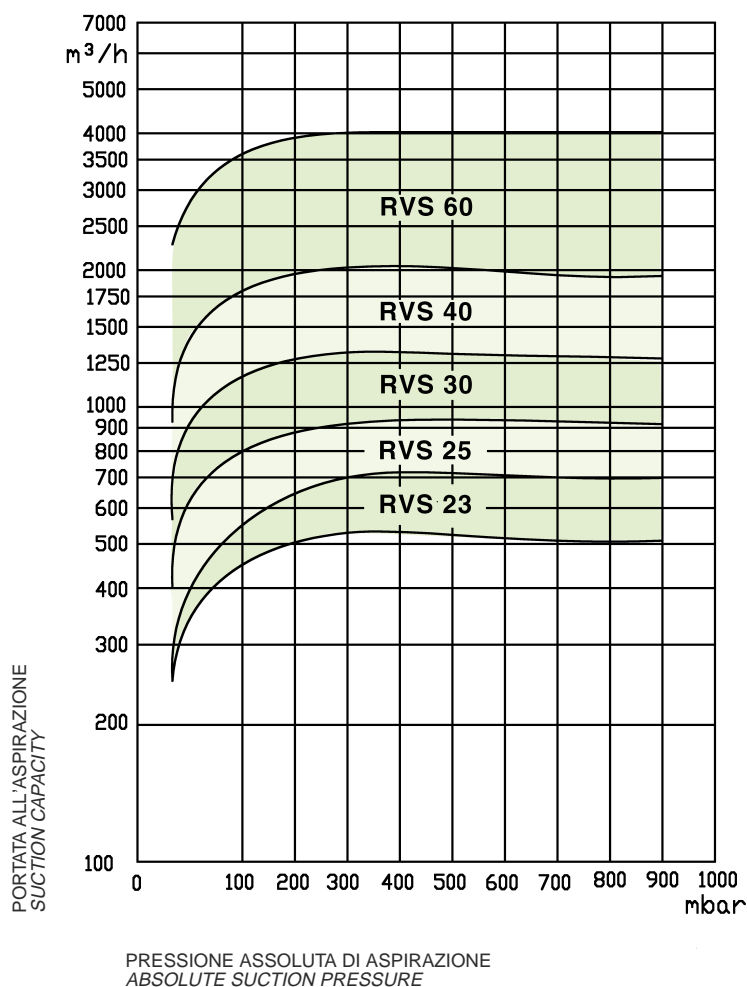
LRVS

Nei gruppi LRVS la trasmissione è a cinghie e pulegge ed è basata su di un dispositivo, brevettato, di sospensione oscillante del motore, che consente di ridurre il carico sui cuscinetti della pompa e del motore, di mantenere costante nel tempo la tensione delle cinghie e di adattare facilmente la trasmissione a diverse grandezze di motori senza modificare l'ingombro del gruppo.

Grazie all'accoppiamento a cinghie è possibile selezionare la pompa per vuoto alla velocità ottimale che garantisca la corretta portata necessaria all'impianto senza sprechi di energia e fornire portate fino a 4200 m³/h.

In packages LRVS the power transmission is made with V-belt and pulleys and it is obtained through a patented device rotating around a pivot and supporting the motor in a way which allows to reduce loads on bearings of pump and motor and to keep tension of the belt constant in time. Different motor sizes can be used without modifying overall dimensions of the package.

Through V-belt drive vacuum pumps can run at the most suitable speed to obtain the requested capacity for the plant up to the max. capacity of 4200 m³/h, without waste of energy.



Tipo Type	A	B	C	D	E	F	G	H	L	M	R	S	T	U	V	DN	Dp	Massa Mass kg ⁽¹⁾
23	120	350	761	905	68	175	700	22	103	1221	730	G 3/4"	200	605	645	100	280	242
25	120	350	761	905	68	175	700	22	103	1221	835	G 3/4"	200	605	645	100	280	282
30	170	500	1010	1275	85	255	1090	18	125	1810	1095	G 1.1/2"	275	870	910	125	400	521
40	170	500	1010	1275	85	255	1090	18	125	1810	1235	G 1.1/2"	275	870	910	125	400	590
60	254	652	1540	-	110	255	1390	22	160	2170	1875	G 2"	352	1540	1600	1200	300	1600

(1) Esclusi motore e trasmissione
(1) Motor and drive excluded

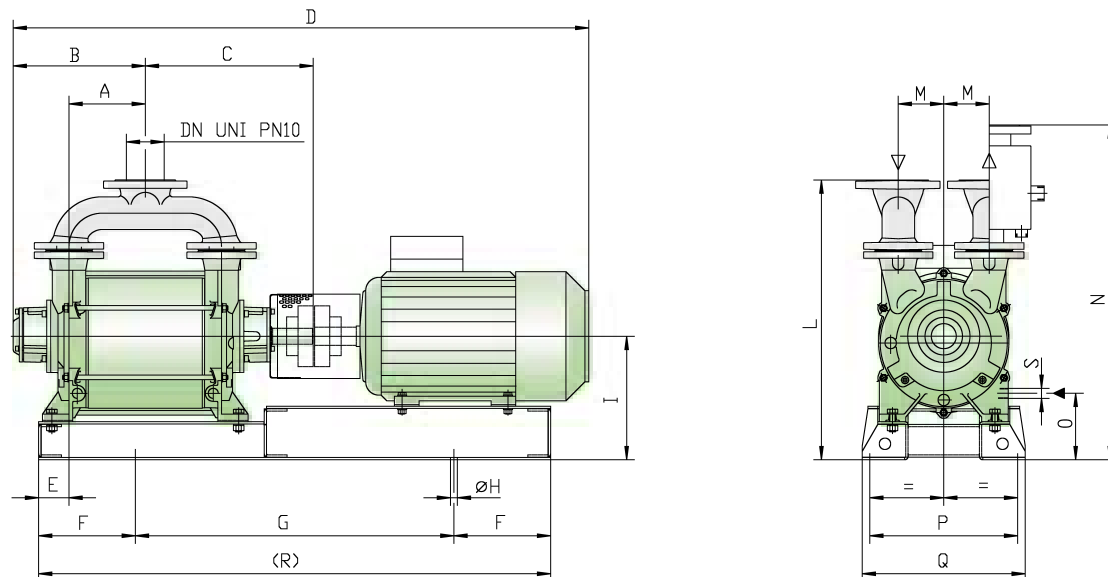
Quote non impegnative in mm
Not binding dimensions in mm

La Robuschi si riserva di apportare senza preavviso qualsiasi cambiamento rivolto ad un miglioramento dei suoi prodotti

It is policy of Robuschi to always improve its products and the right is reserved to alter specifications at any time without prior notice.

Nei gruppi CRVS la trasmissione avviene mediante giunto elastico e le pompe ruotano alla velocità di sincronismo dei motori elettrici asincroni a 3 fasi.

In packages CRVS the power transmission is obtained through an elastic coupling and the pumps rotate at the synchronous speed of 3 phase motors.



Tipo Type	A	B	C	D	E	F	G	G1	ØH	I	L	M	N	O	P	Q	R	DN	S	MOTORE kW	MOTOR min ⁻¹	Grandezza IEC Size	Massa Mass ⁽¹⁾ kg
23	148	294	390	1315	80	255	840	-	18	325	736	120	881	175	390	430	1350	100	G 3/4"	15	1450	160L	312
25	201	347	443	1520	80	255	840	-	18	325	736	120	881	175	390	430	1350	100	G 3/4"	22	1450	180L	427
30	209	455	561	2040	105	250	1400	700	22	485	997	170	1260	260	540	600	1900	125	G 1.1/2"	30	970	225M	863
40	279	527	631	2150	105	250	1400	700	22	525	1037	170	1300	300	540	600	1900	125	G 1.1/2"	45	970	280S	1073
60	424	810	950	2927	125	300	2200	1100	22	712	1600	254	-	412	610	680	2800	200	G 2"	90	740	315M	2480

(1) Massa indicativa che può variare in funzione della marca del motore - Not binding mass that can change according to motor make

UNITÀ PER VUOTO KRVS

KRVS VACUUM UNIT

I nuovi gruppi Robuschi KRVS sono unità realizzate per la generazione del vuoto nei più svariati settori come quello chimico, petrolchimico, farmaceutico, tessile ecc.

Le unità sono costituite da pompe per vuoto ad anello liquido della serie RVS con serbatoio di separazione per il ricircolo parziale del liquido di servizio e relative tubazioni di collegamento (P); nella versione a ricircolo totale (T) il gruppo è dotato di scambiatore di calore.

Le principali caratteristiche tecniche delle unità sono le seguenti:

- rumore e vibrazioni estremamente contenuti;
- separazione del liquido di esercizio dal gas scaricato;
- liquido di raffreddamento non a contatto con la pompa;
- semplice installazione, avviamento, regolazione e manutenzione.

PRINCIPALI CARATTERISTICHE COSTRUTTIVE

Serbatoio separatore

Nelle unità KRVS 7÷21 la pompa è posizionata sopra al serbatoio separatore che funge così da basamento del gruppo mentre nelle unità KRVS 23÷60 il serbatoio è posizionato a lato della pompa.

Scambiatore di calore (solo per T)

Il liquido di servizio viene raffreddato mediante uno scambiatore di calore che impedisce il contatto fra fluido di raffreddamento e liquido di servizio, evitando contaminazioni. La temperatura del liquido di servizio si può regolare agendo sulla portata del liquido di raffreddamento.

The new Robuschi unit KRVS are machines for vacuum generation in different application fields such as chemical, petrochemical, pharmaceutical, textile, ecc.

The unit consist of a liquid ring vacuum pump of RVS series complete with separator tank for partial recirculation of service liquid and hose and valves for connections (P); in the total recirculation version (T) the unit is complete with heat exchanger.

Main unit features are the following:

- reduced noise and vibrations;
- separation of service liquid from compressed gas;
- cooling liquid not in contact with the pump;
- easy installation, start-up, setting and maintenance.

MAIN DESIGN FEATURES

Separator tank

In the KRVS 7÷21 units the pump is positioned on the separator tank which acts as base plate for the unit; in the KRVS 23÷60 units the separator tank is positioned aside the pump on the same base plate.

Heat exchanger (for T only)

Service liquid is cooled through a heat exchanger assuring no contact between cooling and service liquid, avoiding contaminations. Temperature of service liquid is controlled by adjusting flow of cooling liquid

MATERIALI - MATERIALS

POS	PARTICOLARE - COMPONENT	ESECUZIONE MATERIALI - MATERIAL EXECUTION	
1	POMPA - PUMP	09 - 24	06
3	SEPARATORE - SEPARATOR	Fe 360 UNI EU 28	X 5 CrNiMo 1712 UNI 6901
6	SCAMBIATORE (solo KRVS/T) HEAT EXCHANGER (KRVS/T only) Testate - Cover Mantello - Casing Piastrine - Plates Tubi - Tubes	G250 UNI ISO 185 C 40 UNI 7845	G-X 6 CrNiMo 2011 UNI3161 X 5 CrNiMo 1712 UNI6901
-	TUBAZIONI - PIPING	X 5 CrNiMo 1712 UNI 6901 X 5 CrNiMo 1712 UNI 6901	PVC

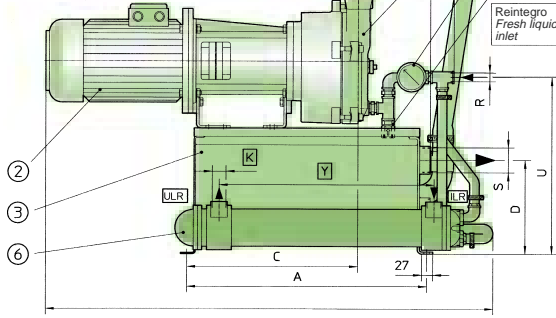
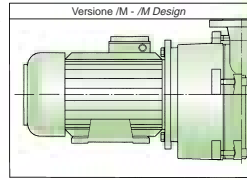
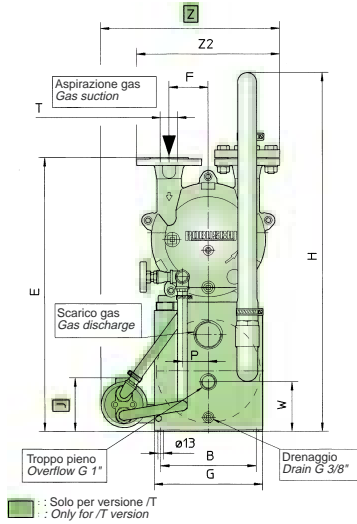
La Robuschi si riserva di apportare senza preavviso qualsiasi cambiamento rivolto ad un miglioramento dei suoi prodotti

It is policy of Robuschi to always improve its products and the right is reserved to alter specifications at any time without prior notice.

KRVS 7÷21

Versione /SG - /SG Design

Quote non impegnative in mm - Not binding dimensions in mm



- 1 POMPA RVS/SG - RVS/SG pump
- 2 MOTORE ELETTRICO - Electric motor
- 3 SEPARATORE - Separator tank
- 4 VALVOLE VGB - VGB valves
- 5 TERMOMETRO - Thermometer
- 6 SCAMBIATORE DI CALORE - Heat exchanger

ILR: Ingresso liquido di raffreddamento
Cooling liquid inlet

ULR: Uscita liquido di raffreddamento
Cooling liquid outlet

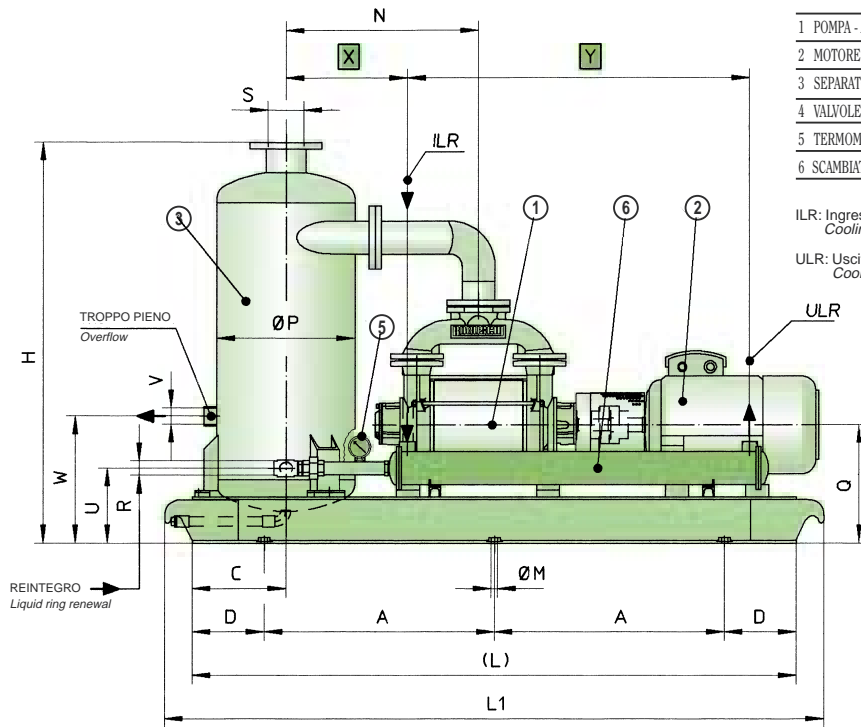
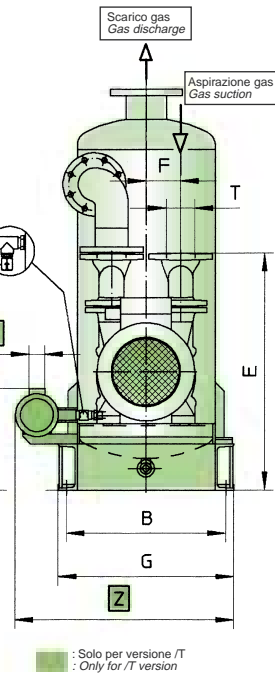
(1) Quota indicativa che può variare in funzione della marca del motore
LS Quota con RVS /SG - LM Quota con RVS /M

(1) Not binding dimension that can change according to motor make
LS Dimension's for RVS /SG version - LM Dimension's for RVS /M version

Unità Unit	Dimensioni (mm)																Massa Mass ⁽²⁾										
	A	B	C	D	E	F	G	H	J	Y	K	LS	LM	M	P	Q	R	S	T (DN)	U	W	Z	Z2	/P	/T	/P	/T
KRVS 7	572	220	405	224	634	90	250	830	124	400	G 1"	1012	802	175	50	200	G 1/2"	G 2"	40	440	115	413	330	100	115	120	135
KRVS14	572	220	405	224	634	90	250	830	124	643	G 1"	1052	822	175	50	200	G 1/2"	G 2"	40	440	115	413	330	110	125	130	145
KRVS16	942	280	750	270	787	100	310	1020	177	733	G 1"	1310	941	200	65	270	G 3/4"	G 3"	65	540	137	512	385	170	-	210	240
KRVS17	942	280	750	270	787	100	310	1020	177	722	G 1.1/2"	1380	-	200	65	270	G 3/4"	G 3"	65	540	137	512	385	-	-	230	260
KRVS21	942	280	750	270	787	100	310	1020	177	722	G 1.1/2"	1496	-	200	65	270	G 3/4"	G 3"	65	540	137	512	385	-	-	280	310

KRVS 23÷60

Quote non impegnative in mm - Not binding dimensions in mm



- 1 POMPA - Pump
- 2 MOTORE ELETTRICO - Electric motor
- 3 SEPARATORE - Separator tank
- 4 VALVOLE VGB - VGB valves
- 5 TERMOMETRO - Thermometer
- 6 SCAMBIATORE DI CALORE - Heat exchanger

ILR: Ingresso liquido di raffreddamento
Cooling liquid inlet

ULR: Uscita liquido di raffreddamento
Cooling liquid outlet

Unità Unit	Dimensioni (mm)																Massa Mass ⁽²⁾										
	A	B	C	D	E	F	G	H	J	Y	K	L	L1	M	N	X	P	Q	R	S (DN)	T (DN)	U	V	Z	W	/P	/T
KRVS 23	800	555	325	250	821	120	610	1390	352	885	1.1/2"	2100	2290	18	602	495	480	410	1"	125	100	260	2"	815	440	532	580
KRVS 25	800	555	325	250	821	120	610	1390	352	1190	1.1/2"	2100	2290	18	654	495	480	410	1"	125	100	260	2"	815	440	632	680
KRVS 30	1025	640	350	400	1122	170	700	2045	505	1080	2"	2850	3150	20	875	790	600	610	1.1/2"	150	125	385	2.1/2"	940	645	983	1053
KRVS 40	1025	640	350	400	1122	170	700	2045	505	1690	2"	2850	3150	20	945	790	600	610	1.1/2"	150	125	385	2.1/2"	940	645	1185	1255
KRVS 60	1500	790	375	450	1600	254	850	2455	650	1600	2.1/2"	3900	4140	22	1450	1530	700	712	2"	200	200	412	3"	1250	755	2870	3050

(2) Massa comprensiva di motore che può variare in funzione della marca del motore (kg) - Mass including electric motor that can change according to motor make (kg)

ALIMENTAZIONE LIQUIDO DI SERVIZIO

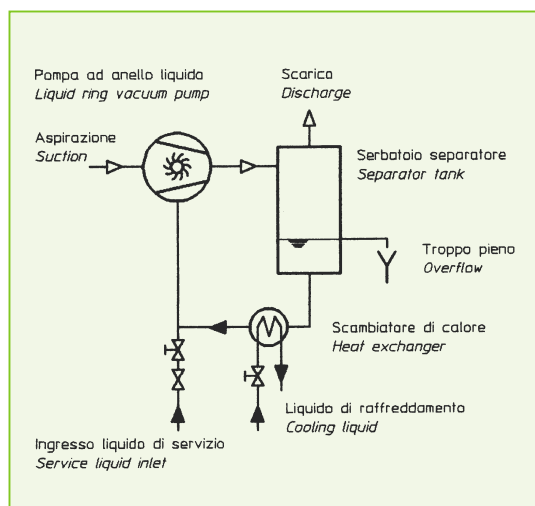
Per circuito con liquido di servizio a perdere o con ricircolo parziale, il consumo di liquido di servizio è riportato a pag. 4. Per circuito con ricircolo totale del liquido di servizio, la portata dell'acqua di raffreddamento per lo scambiatore è funzione delle condizioni di esercizio del gruppo (temperatura dell'acqua di raffreddamento, pressione di aspirazione, condizioni termofisiche del gas aspirato, ecc.). Nella tabella seguente è riportato indicativamente il consumo di acqua di raffreddamento per due condizioni operative usuali: aria secca ed aria saturata a 20°C.

SERVICE FLUID FLOW

With once-through or partial recirculation circuit, the service liquid flow is related to suction pressure and rotation speed as shown at pag. 4.

With total recirculation circuit, the cooling water flow varies according to unit operating conditions (cooling water temperature, suction pressure, gas characteristics, etc.). In the following table is quoted the flow rate for two common operating conditions: dry air and saturated air at 20°C.

Portata acqua di raffreddamento a 10°C Cooling water flow at 10°C [m³/h]		UNITÀ - UNIT									
		7	14	16	17	21	23	25	30	40	60
Aria secca <i>Dry air</i>	50 Hz	0,45	0,60	0,82	1,13	1,65	2,40	3,60	5,70	7,60	15,20
	60 Hz	0,60	0,83	1,13	1,65	2,26	3,10	4,76	7,45	10,15	20,30
Aria saturata <i>Saturated air</i>	50 Hz	0,70	0,93	1,37	1,83	2,64	3,56	5,48	8,46	11,74	23,48
	60 Hz	0,94	1,26	1,76	2,49	3,41	4,50	7,10	11,00	15,00	30,00



ROBUSCHI

43100 PARMA ITALY - VIA S.LEONARDO 71/A

Italia: Tel. +39 0521 274911 - Export: Tel. +39 0521 274991 - Telefax +39 0521 771242
E-mail: robuschi@robuschi.it - Internet: www.robuschi.it

FILIALE DI MILANO

20097 S. Donato (Milano) - Via XXV Aprile, 2
Tel. +39 02 51628065 - Fax +39 02 51620224
E-mail: robuschimi@robuschi.it

FILIALE DI PADOVA

35129 Padova - Piazza Zanellato, 5
Tel. +39 049 8078260 - Fax +39 049 8078183
E-mail: robuschipd@robuschi.it

ROBUSCHI

GERMANY

D-30855 HANNOVER Langenhagen
Frankenring 10
Tel. +49 511 848649-0
Fax +49 511 848649-29
E-mail: robuschi@robuschi.de
Internet: www.robuschi.de

ROBUSCHI

FRANCE

77990 Le Mesnil Amelot
6, rue de la Grande Borne
Tél. +33 1 60037569
Fax +33 1 60037577
E-mail: robuschi.fr@wanadoo.fr
Internet: www.robuschi.fr

ROBUSCHI

DANMARK

4622 Hav-Drup
DENMARK
Kildebrogardsvej 11E
Tel. +45 70 257800
Fax +45 70 257900
E-mail: sales@robuschi.dk
Internet: www.robuschi.dk

ROBUSCHI

HOLLAND

6956 AX Spankeren
THE NETHERLANDS
Kanaaldijk 100
Tel. +31 313 415570
Fax +31 313 415433
E-mail: robuschi@robuschi-holland.nl
Internet: www.robuschi-holland.nl

V72A04-C
Q.TA 2000/09/2004

