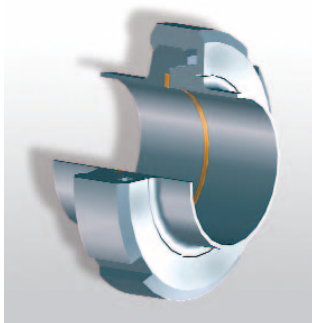


As an alternative for DIN 11864, the KIESELMANN aseptic pipe connection offers you considerable advantages in terms of technical and also financial aspects. Not only 100 % hygienic safety, but also a considerably wider application spectrum compared to elastomers will be guaranteed by the patented k-flex sealing system. In addition, you can retrofit your already built-in DIN 11851 unions anytime into an aseptic pipe connection by means of a retrofit kit.



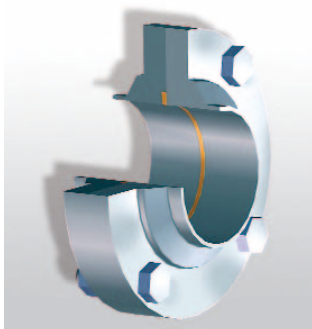
ASEPITO-STAR RETROFIT KIT FOR DIN 11851 UNIONS

Simple and economical Retrofitting for a screw pipe connection, from DIN 11851 to an aseptic pipe connection



ASEPITO-STAR PIPE UNION

Flexible, economical connection to DIN 11851 liner and nuts



ASEPITO-STAR SMALL FLANGE CONNECTION

Simple assembly handling

The k-flex sealing system

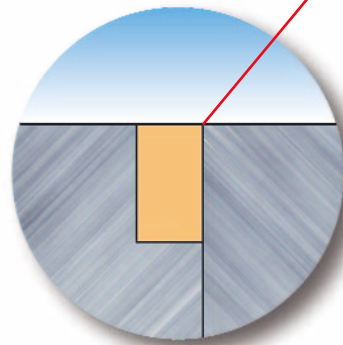
- ▶ Universal compatibility
- ▶ High chemical resistance
- ▶ Conform to FDA
- ▶ Ageing resistant
- ▶ 3 times the service life of elastomers
- ▶ Antiadhesive – therefore easy to clean
- ▶ Thermal strain of up to 150° C

Construction

- ▶ Clearance-free sealing placement
- ▶ Metal to metal points giving predefined and therefore optimum seal compression
- ▶ No misalignment of weld edges
- ▶ EHEDG certified for cleanability and sterilisation
- ▶ Optionally: orbital weld-on end according to pipe DIN 11850 series 2



Temperature compensation (always remains leak-proof)



TECHNICAL DATA

Installation sizes: DN 10 – DN 150

Materials: 1.4301/1.4307 / AISI 304/304L
1.4404 / AISI 316L

Sealing materials:

Aseptic unions 11864-1	<i>k-flex</i>
Aseptic flange 11864-2	<i>k-flex</i>
Aseptic unions	<i>k-flex</i>
Aseptic retrofit kit	<i>k-flex</i>

Further sealing materials on request

Surfaces

Product wetted: Ra < 0,8 µm,
optionally Ra < 0,5 µm

Outside surface: Ra < 1,6 µm

Operating pressure: PN 6, PN 10, PN 16



ברלין טכנולוגיות בע"מ
שדרות גן רוהה 13, יבנה, 8122214
<http://www.berlintech.co.il/>
mail@berlintech.co.il
טלפון: 073-7597171
פקס: 08-6638120