



JESSBERGER
hand operated
drum- and
container pumps
made of PP and
stainless steel



ברלין טכנולוגיות בע"מ
שדרות גן רוזה 13, יבנה, 8122214
<http://www.berlintech.co.il/>
mail@berlintech.co.il
טלפון: 073-7597171
פקס: 08-6638120

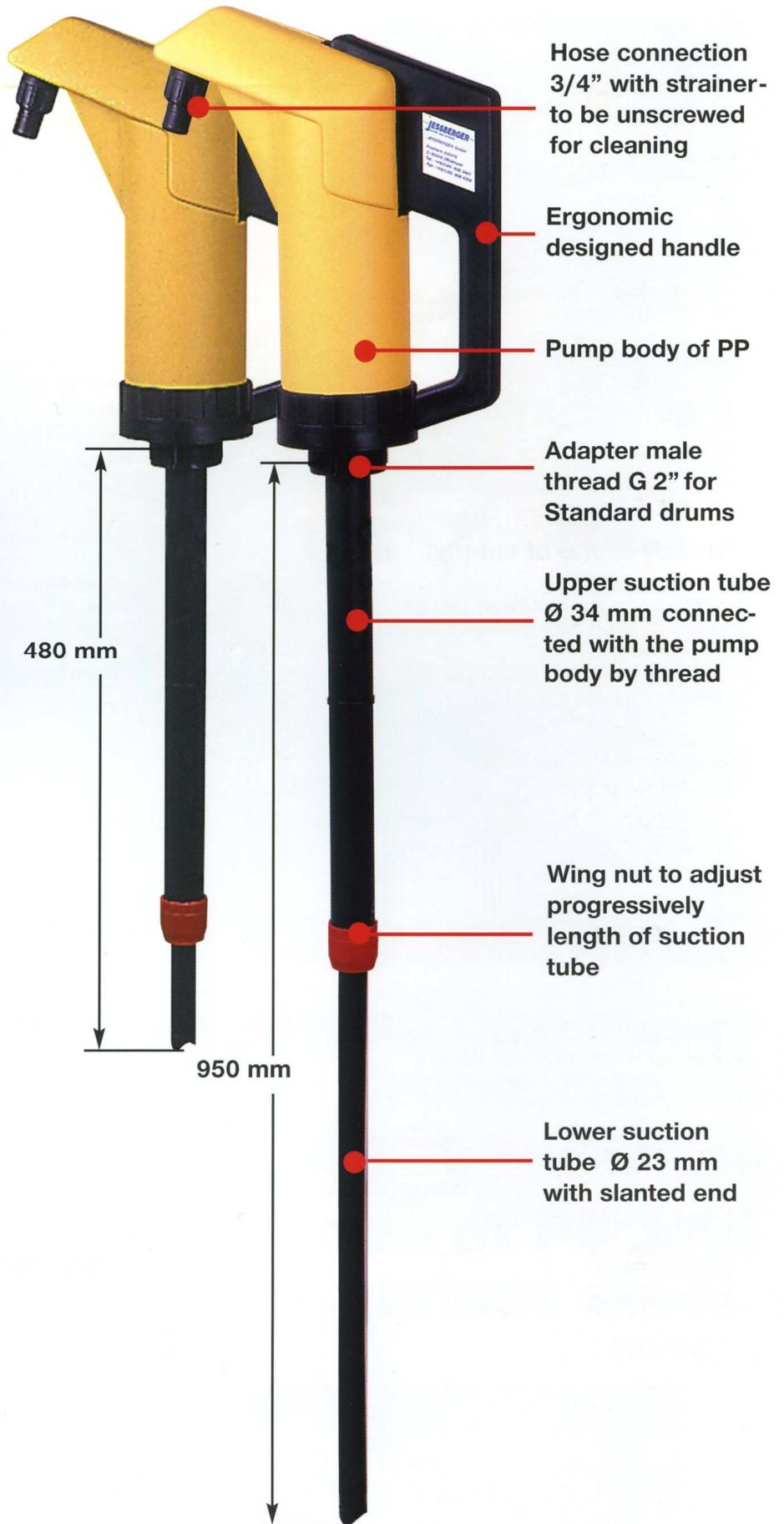
JESSBERGER - Hand operated drum- and container pumps

Hand operated drum- and container pumps

are lightweight and handy devices suitable for almost all fluid liquids.

The simple technical design guarantees reliable and fast filling of smaller quantities.

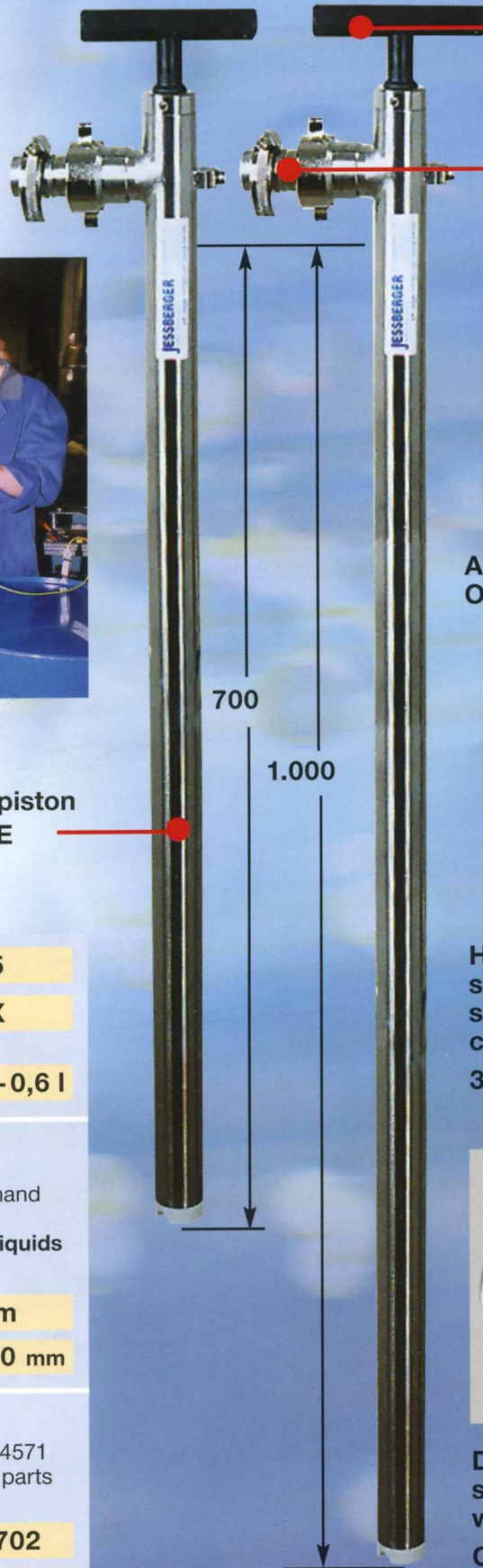
Accessories are available.



Type	JP 04
P. tube made of	PP
Deliv. rate/stroke	approx. 0,3 l
Description:	
Hand operated drum- and container pump with telescopic suction tube made of Polypropylen for fluid liquids. Seals of Viton. Particularly suitable for acids and caustic solutions .	
Pump tube Ø	34 mm
Pump tube length	480 - 950 mm
Order-No.	6001 8721



Suction tube Ø 32 mm and shaft in stainless steel, pump piston and lower tube closing of PTFE



Handle in Plastic

Discharge exchangeable



Anti-Static-Set
Order-No. 9000 9003



Hose connection complete in stainless steel with PTFE seals, wing nut and INOX hose clamp

3/4" Order-No. 8011 0190
1" Order-No. 8011 0250



Discharge arc in stainless steel with PTFE seal and wing nut

Order-No. 8013 0000

Typ	JP 05
P. tube made of	INOX
Deliv.rate /stroke	approx. 0,3-0,6 l

Description
Universal usable, robust and reliable hand pump for highly fluid to oily liquids. Particularly suitable for flammable liquids and solvents.

Pump tube Ø	32 mm
Pump tube length	700 /1.000 mm

Order-No.
Pump completely in stainless steel -1.4571 with discharge connection G 5/4", all parts in stainless steel or PTFE

P.tube length 700	6002 0702
P.tube length 1000	6002 1002

Accessories



Nozzle
made of Polypropylen PP
Order-No. 9017

Housing and internal parts made of black Polypropylen, valve seat and O-ring made of FPM, spring made of Hastelloy (22 Haynes original).

Operating pressure: 2 bar*
Viscosity: 750 mPas*
Flow rate: 100 l/min*
Temperature of liquid: 50°C*
Weight: 0,26 kg
Hose connection: 1" oder 3/4"

*max values

Barrel adapter for diameter 32 mm



with Fixing device
Order-No. 8009 0321
without Fixing device
Order-No. 8009 0320



Stainless steel hose clamp
Order-No. 9004



Anti-Static-Set
Order-No. 9003

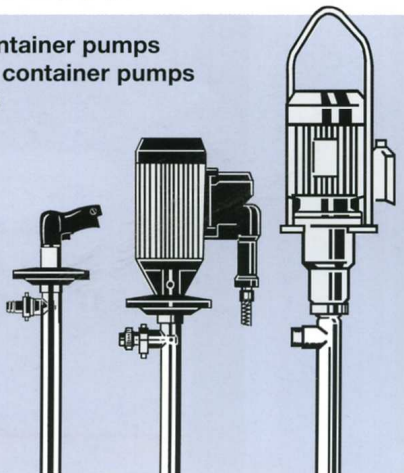
Further scope of supply:

Electric drum and container pumps
Pneumatic drum and container pumps
High viscosity pumps

JESSBERGER Pump technology with internal and external cooled motors in different flow capacity ranges.

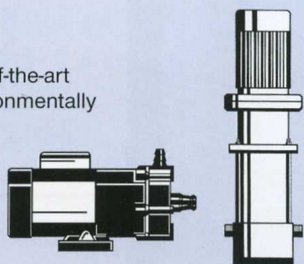
Seal-less pump tubes in stainless steel, Polypropylen and PVDF.

Tube length from 700 to 1800 mm also in special length.



Seal - Less
Magnetic Driven Pumps

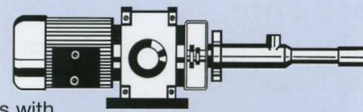
Available in various sizes, state-of-the-art construction, seal-less and environmentally friendly, suitable for a variety of uses, low noise level, long life, easy to maintain.



Dosing pumps for viscous liquids

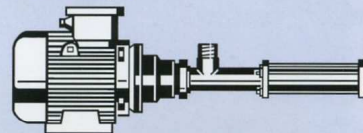
For fluid, viscose, aggressive, neutral media with or without solids or fibres particles.

Several performance types with variable speed motor or frequency controlled gear motor



Horizontal Eccentric Srew Pumps

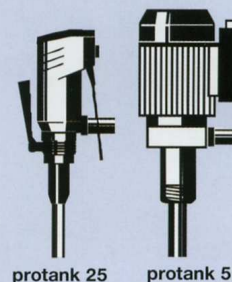
Pumps suitable for liquids with low or high viscosity, whether neutral or aggressive, with or without solids or fibres particles.



Electric Diesel- and fuel oil pumps:

Protank 25 mobile and Protank 50 stationary

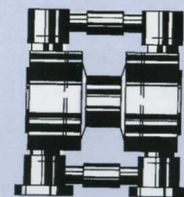
These pumps are intended mainly for the refueling of agricultural machines, tractors, machines for construction work, truck, motor boats and all vehicles with diesel or light fuel (hazard class A III) engines.



Compressed Air-Operated Diaphragm Pumps

JESSBERGER compressed air diaphragm pumps are suitable for nearly all areas of use.

They are capable of pumping aggressive and flammable substances, highly viscose liquids also with solids or fibre particles.



Electronic Flowmeter

Housing made of PP, PVDF, POM or stainless steel, volume pre-set, signal-check for further processing of datas.

Order-No.:
PP: No.9020, PVDF: No.9021,
POM: No.9022, stainless steel: No.9023
Please ask for our Flowmeter leaflet!



The following hoses can be supplied:

Universal- and special hoses for chemical substances, PVC hoses, hoses for mineral oil and solvents, tissue reinforced or electrically conductive. **Please ask for details.**

Please contact:

JESSBERGER GmbH

Föhrenweg 20 · D-85591 Vaterstetten
Postfach 200 170 · D-85509 Ottobrunn

Telefon: +49 (0) 81 06 - 30 67 67

Fax: +49 (0) 81 06 - 30 67 12

e-mail: info@jesspumpen.de

internet: www.jesspumpen.de

JESSBERGER

pumps and systems